



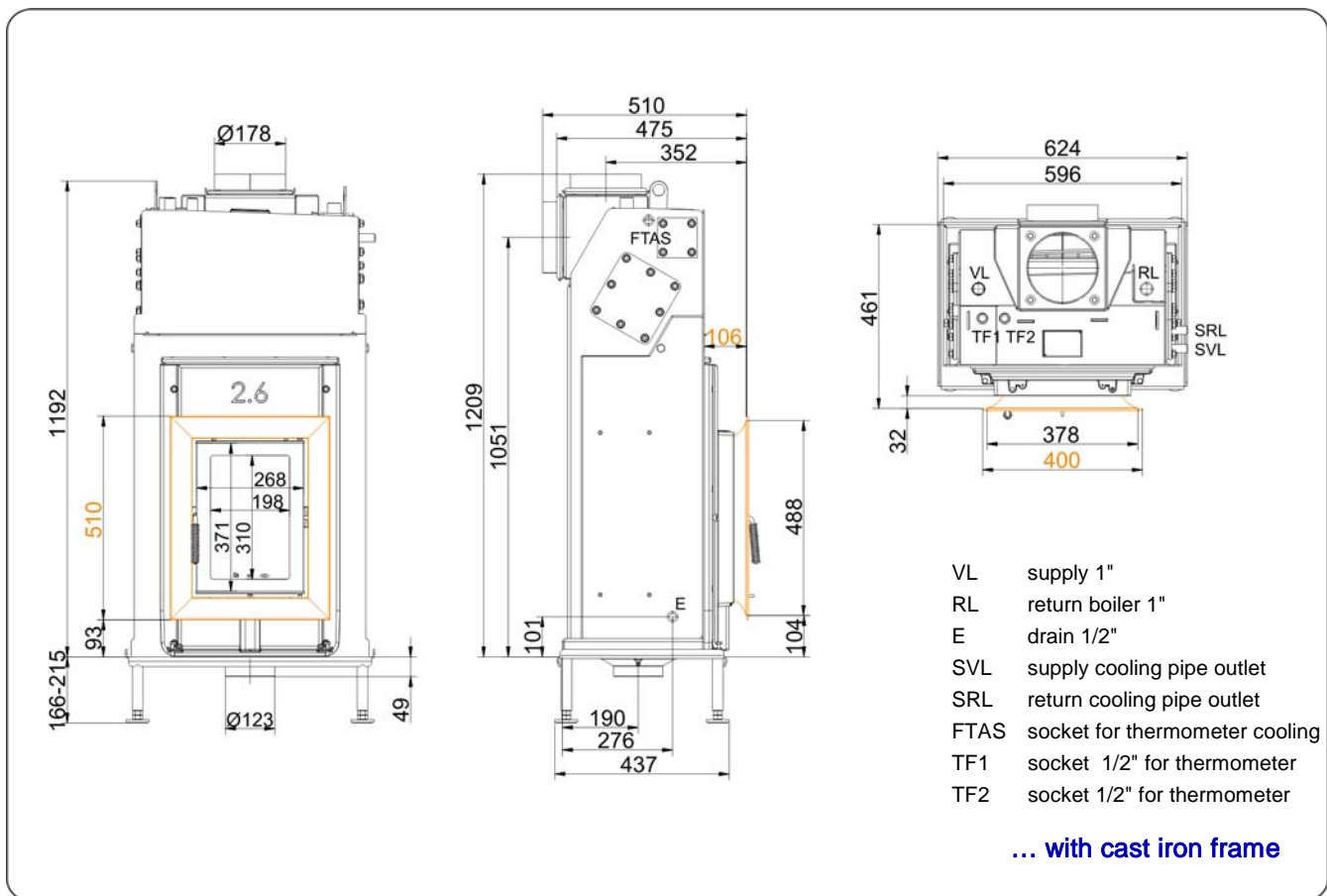
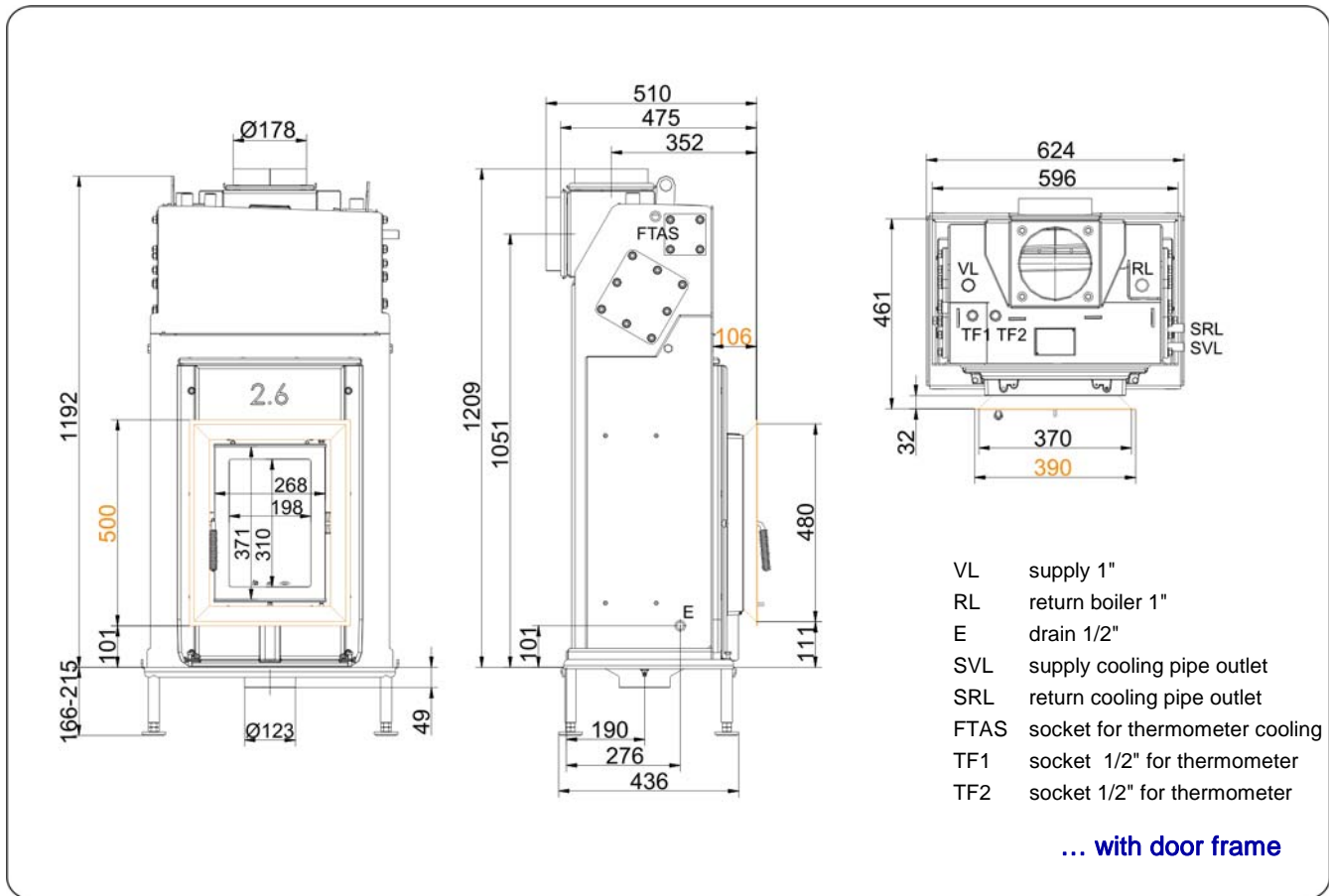
HKD 2.6k-SK

State: 27.06.2013



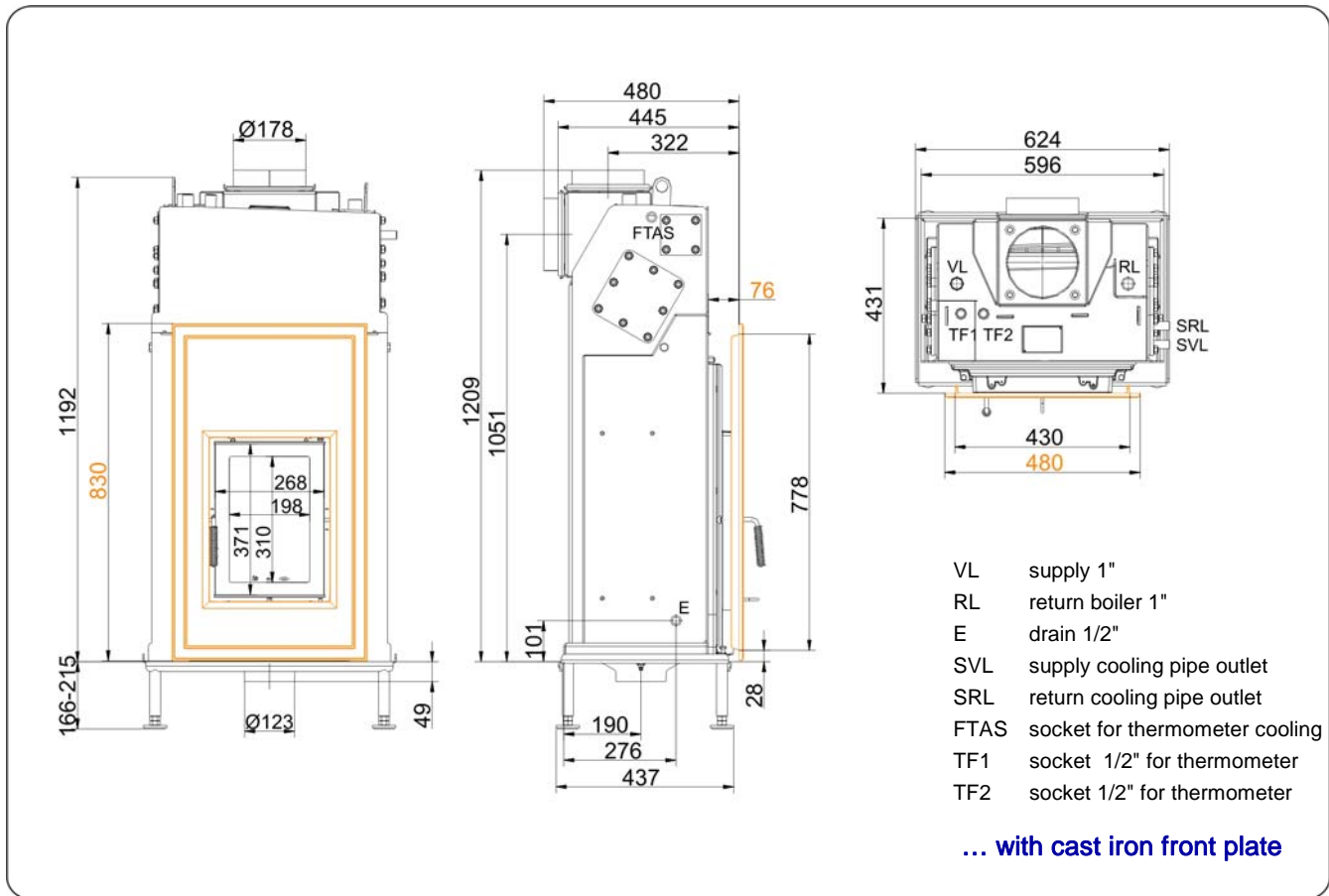
BRUNNER[®]
made in germany

Dimension sheet | **HKD 2.6k-SK**



We suggest for CAD planing Palette CAD. Permanent updated drawings: www.brunner.de
 Frames / front versions are marked colored.

Dimension sheet | **HKD 2.6k-SK**



We suggest for CAD planing Palette CAD. Permanent updated drawings: www.brunner.de
 Frames / front versions are marked colored.

Planning and installation

HKD 2.6k-SK

Tested according to

EN 13229 W

EN 13229 W

Data for functional demonstration

Rated heat power	kW	8	-
Firewood consumption	kg/h	2,5	4
Combustion performance	kW	10	17
Flue gas mass flow	g/s	9	15
Outlet temperature (before heating surface)	°C	-	-
Flue gas temperature after			
attached steel smoke hood	°C	-	-
adjoining cast iron radiator (GNF10)	°C	-	-
accumulation rings (MAS) ¹⁾	°C	-	-
adjoining ceramic accumulator ²⁾	°C	-	-
accumulation stones (MSS) ²⁾	°C	-	-
water boiler	°C	210	255
Necessary supply pressure	Pa	12	12
Combustion air consumption	m ³ /h	25	40
Combustion air connection Ø	mm	125	125

Heat distribution

Insert / heating surface	%	15 / -	15 / -
Glass (single / double)	%	20 / 15	20 / 15
Boiler	%	65 / 70	65 / 70

Cross-section of gratings for max. warm air power

Supply air	cm ²	400	400
Warm air	cm ²	400	400

Space inside oven chamber

Distance to oven chamber wall	cm	6	6
Distance to floor	cm	15	15

Heat insulation without / with ³⁾ air gratings

Wall	cm	0	0
Floor	cm	0	0
Ceiling	cm	4	4
Brick lining of protected walls	cm	10	10

Water boiler data

max. operating pressure	bar	3	3
max. flow temperature	°C	100	100
Water volume	litres	36	36
Connections flow / return	inch	1	1

Weight

Fireplace + burning chamber	kg	276 + 52
-----------------------------	----	----------

meets requirement limit values for

Germany / Austria / Switzerland / Norway

1.BImSchV (Stufe 2) / 15a BVG / LRV / -

1) Throttle flap recommended

2) Approximate value, must be calculated eventually

3) Values with air gratings, stove casing is heat conducting

Ulrich Brunner GmbH
 Zellhuber Ring 17 -18
 D-84307 Eggenfelden
 Phone: +49 / (0)87 21 / 7 71-0
 Fax: +49 / (0)87 21 / 7 71-100
 info@brunner.eu | www.brunner.eu



BRUNNER products are offered and sold only by qualified dealers and service centres.
 Subject to technical and assortment changes. Errors excepted. (06/13)