

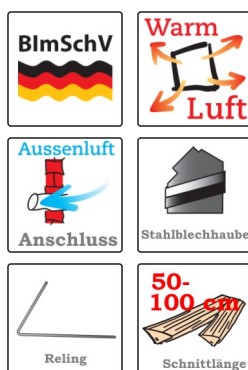
BRUNNER FIREPLACES



## Architektur-Eck 45/101/40

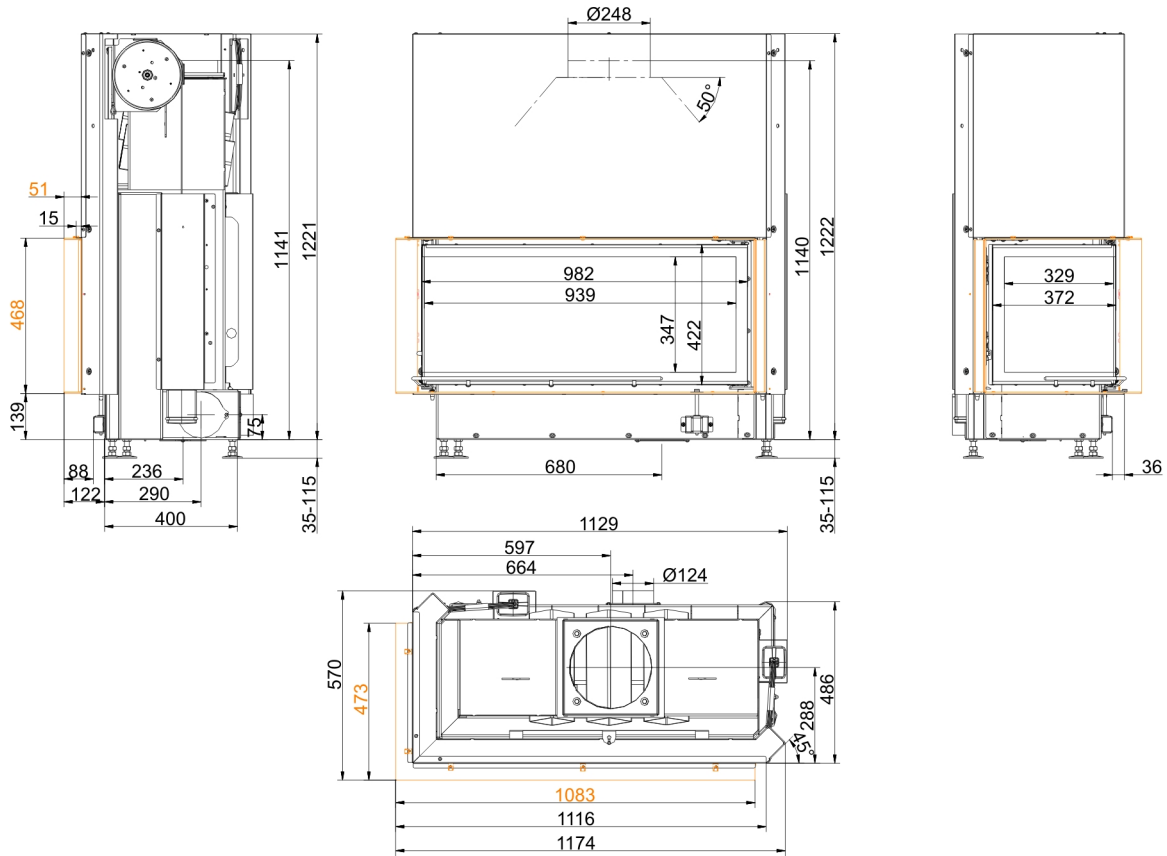
lifting door (easy-lift)

State: 2018-01-24

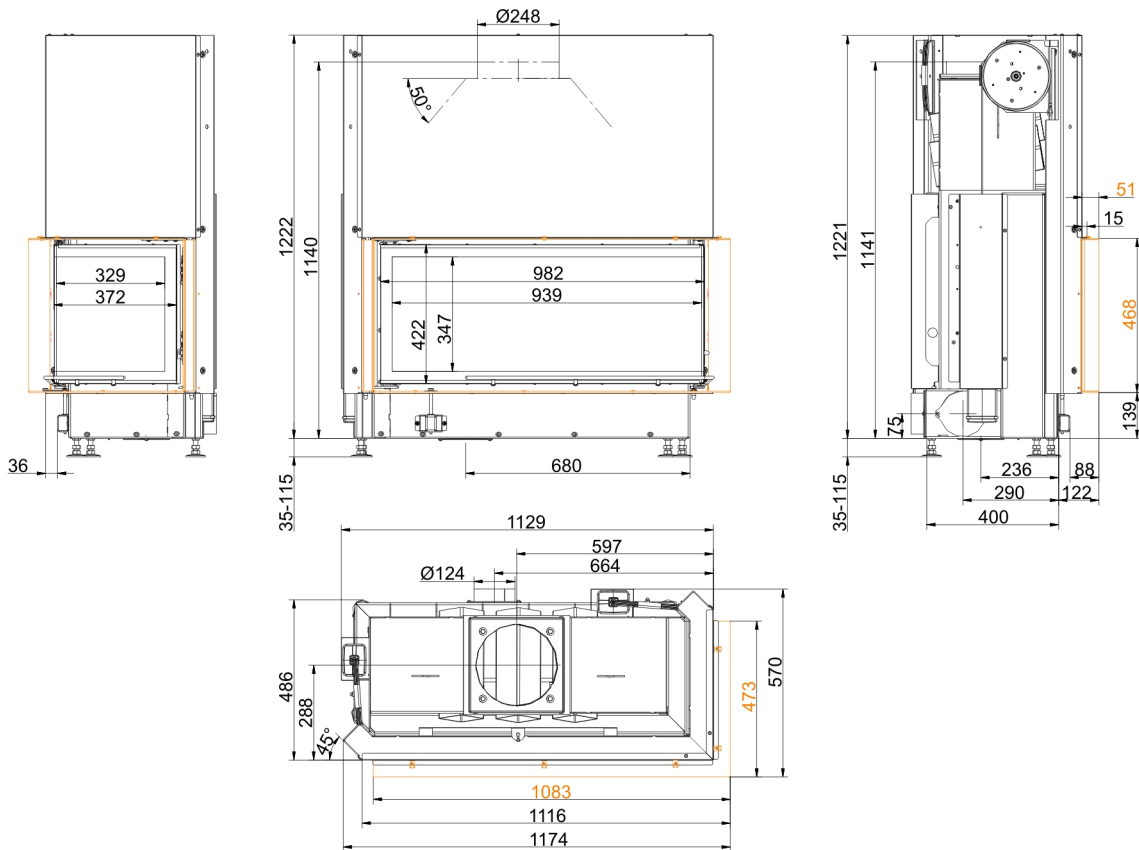


**BRUNNER**<sup>®</sup>  
*made in germany.*

# Dimension sheets - Architektur-Eck 45/101/40 lifting door (easy-lift)

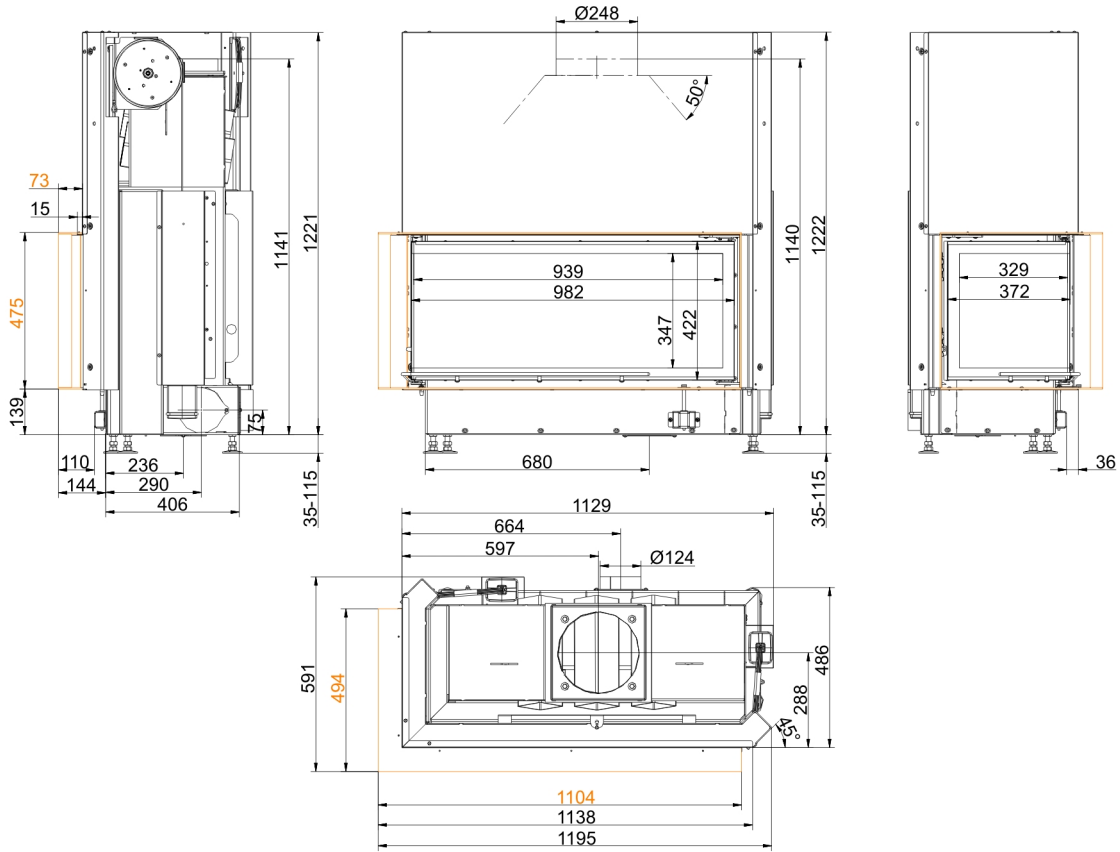


... left with mounting frame 50 mm

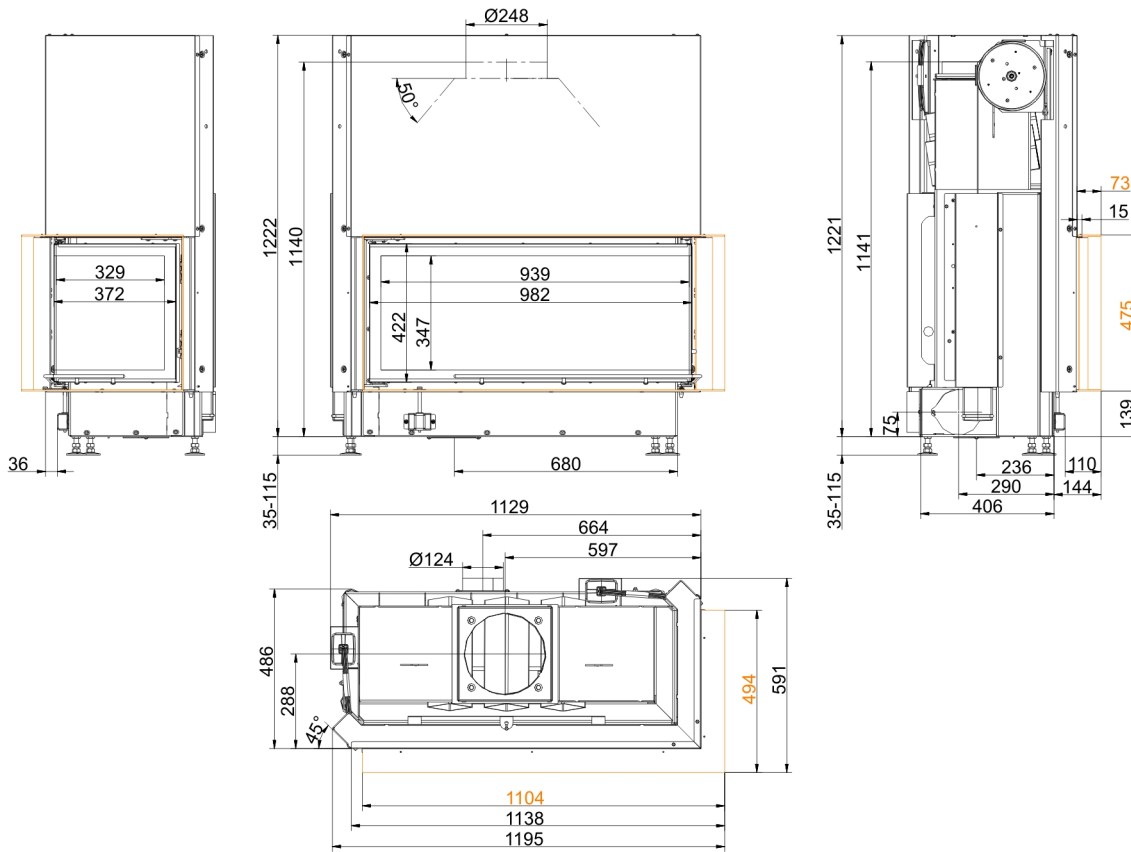


... right with mounting frame 50 mm

# Dimension sheets - Architektur-Eck 45/101/40 lifting door (easy-lift)

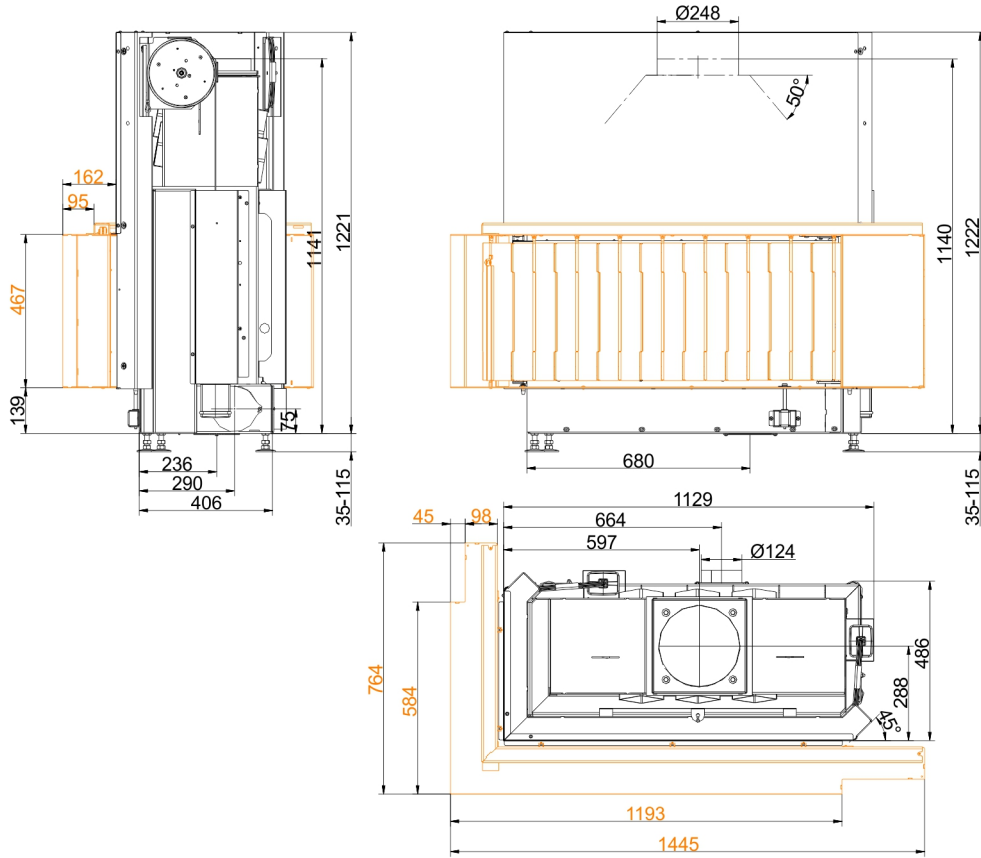


... left with mounting frame 70 mm

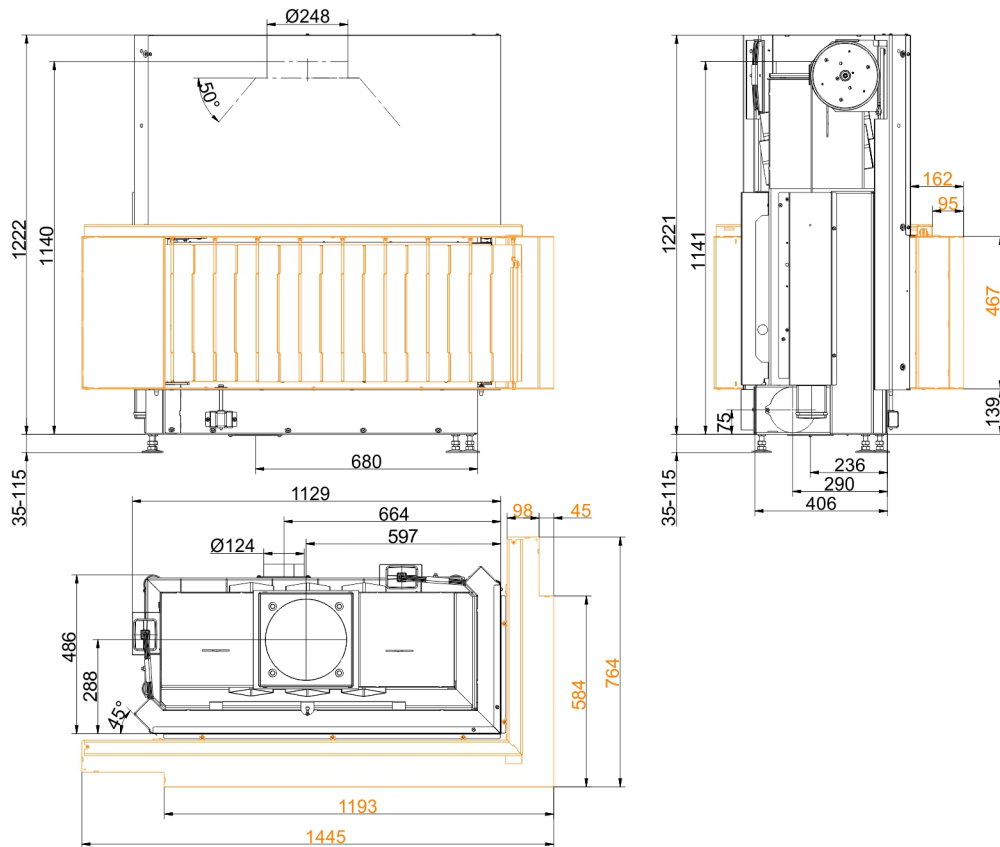


... right with mounting frame 70 mm

# Dimension sheets - Architektur-Eck 45/101/40 lifting door (easy-lift)



... with heatSTOP®



... with heatSTOP®

We suggest for CAD planing Palette CAD. Permanent updated drawings: [www.brunner.de](http://www.brunner.de)  
Frames / front versions are marked colored.

## Planning and installation - Architektur-Eck 45/101/40 lifting door (easy-lift)

Tested according to		EN 13229 W	EN 13229 W
Values measured at		Rated capacity	Open
Suitable for all construction types according to rules		OK	OK
EEL		102.9	102.9
<b>Data for functional demonstration</b>			
Rated heat power	kW	14.5	-
Fire wood volume	kg/h	4.3	4.3
Combustion performance	kW	18	18
Flue gas mass flow	g/s	18	120
Flue gas temperature after:			
attached steel smoke hood	°C	190	105
Necessary supply pressure	Pa	12	6
Combustion air consumption	m <sup>3</sup> /h	60	250
Combustion air connection Ø	mm	125	-
<b>Heat distribution</b>			
Insert / heat accumulator	%	55 / -	-
Glass pane (single / double)	%	45 / -	-
<b>Cross-section of gratings <sup>1)</sup></b>			
Supply air	cm <sup>2</sup>	1000 / 100 / -	-
Warm air	cm <sup>2</sup>	1000 / 100 / -	-
<b>Minimal oven surface for closed construction type</b>			
Heat dissipating surface	m <sup>2</sup>	6.4	-
<b>Minimal distances of the fireplace</b>			
to insulation layer	cm	8	8
to mounting floor	cm	2	2
<b>Thermal insulation without / with air gratings <sup>2)</sup></b>			
Mounting wall	cm	16 / 12	16 / 12
Floor	cm	4 / 2	4 / 2
Ceiling	cm	22 / 16	22 / 16
Brick lining for combustible wall	cm	10	10
<b>Weight</b>			
Fireplace / combustion room	kg	240 / 73	
<b>Meets requirement/limit values for:</b>			
Germany/ Austria / Suisse / Norway		1.BImSchV (Stufe 2) / - / - / NS 3059	

1) for fireplace inserts / flue gas pipe / metallic reheating surface

2) Values determined with upper air sections; stove cladding is heat emitting.

Ulrich Brunner GmbH  
 Zellhuber Ring 17 - 18  
 D-84307 Eggenfeldern  
 Telefonat: +49 / (0)87 21 / 7 71-0  
 Telefax: +49 / (0)87 21 / 7 71-100  
 info@brunner.de | www.brunner.de

**BRUNNER**®  
*made in germany.*