

BRUNNER SYSTEM MASONRY HEATERS



BSG 01 with MSS

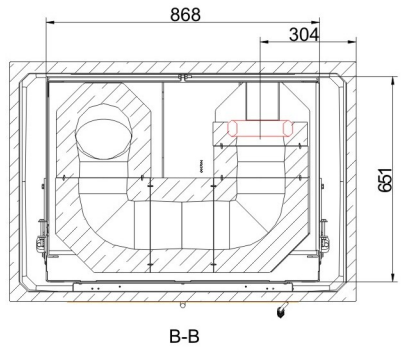
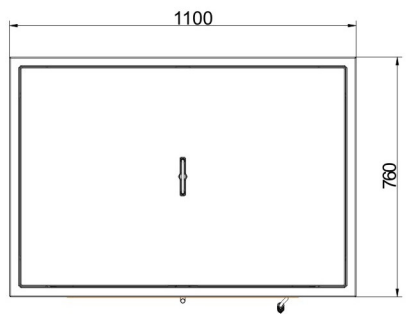
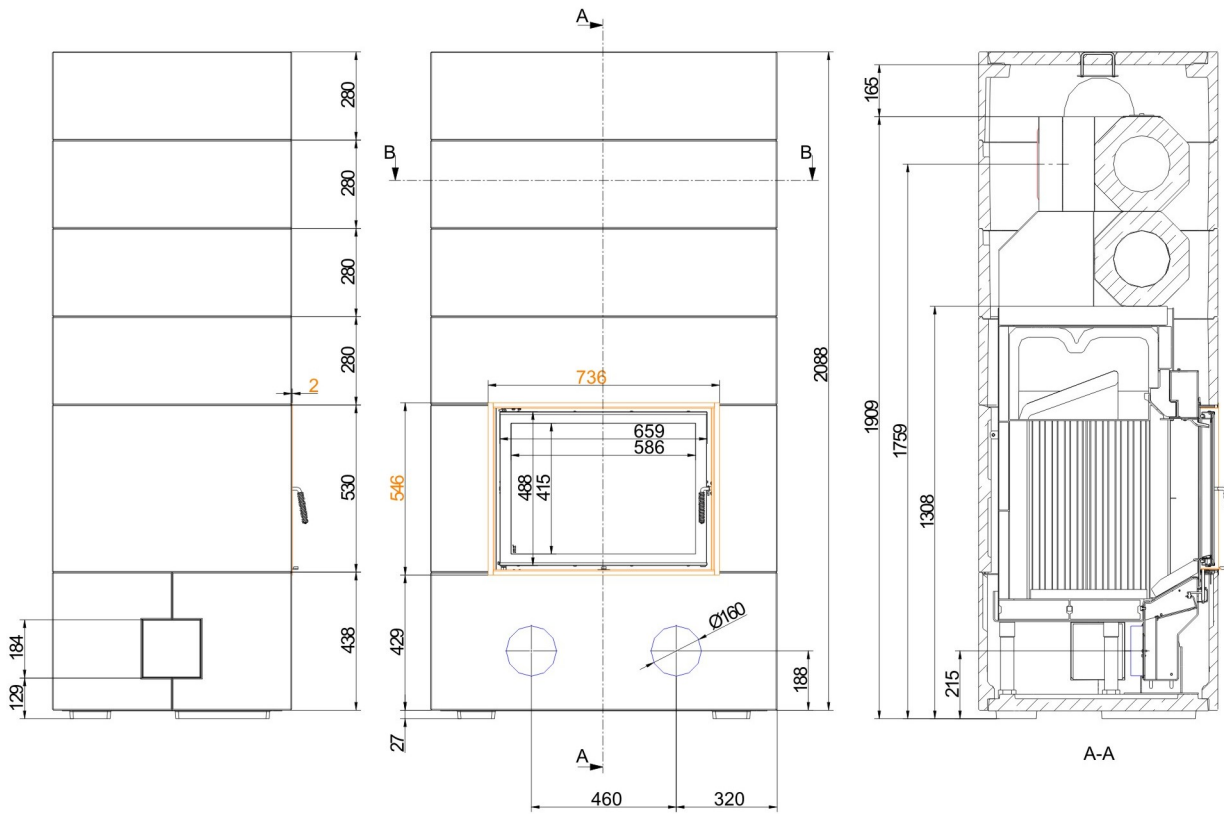
for GOT 51/67-ZL DT with GOF 66x42

State: 2018-04-19



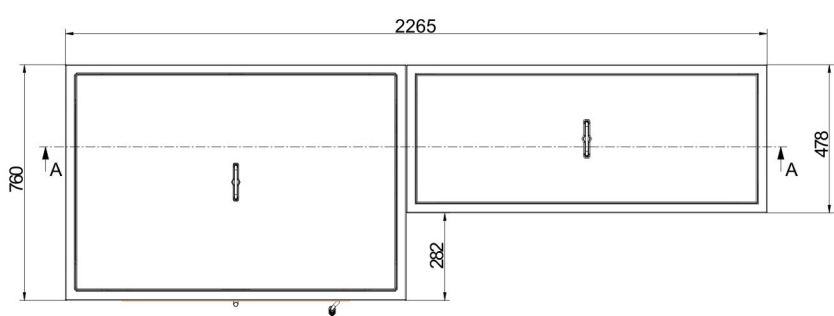
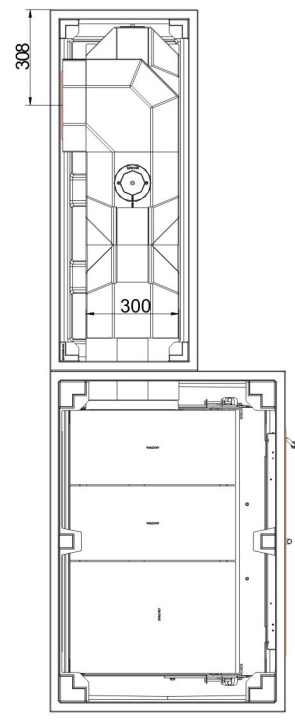
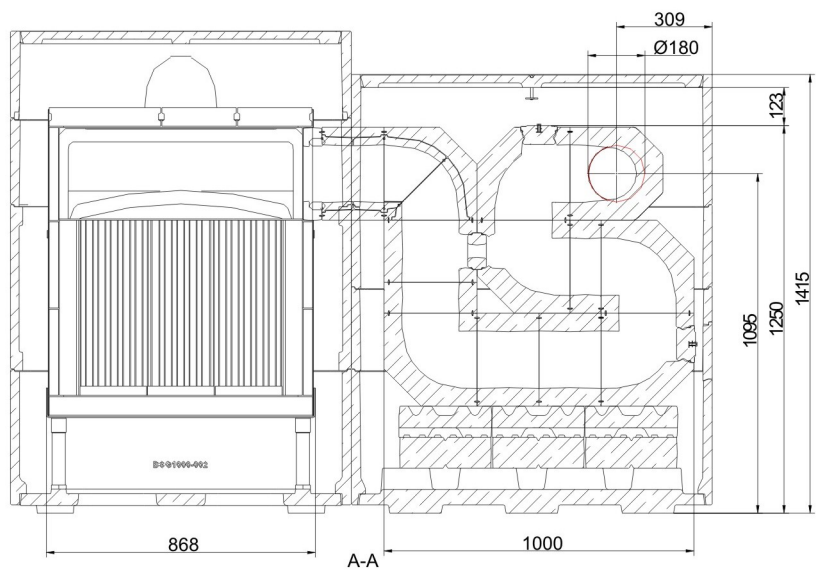
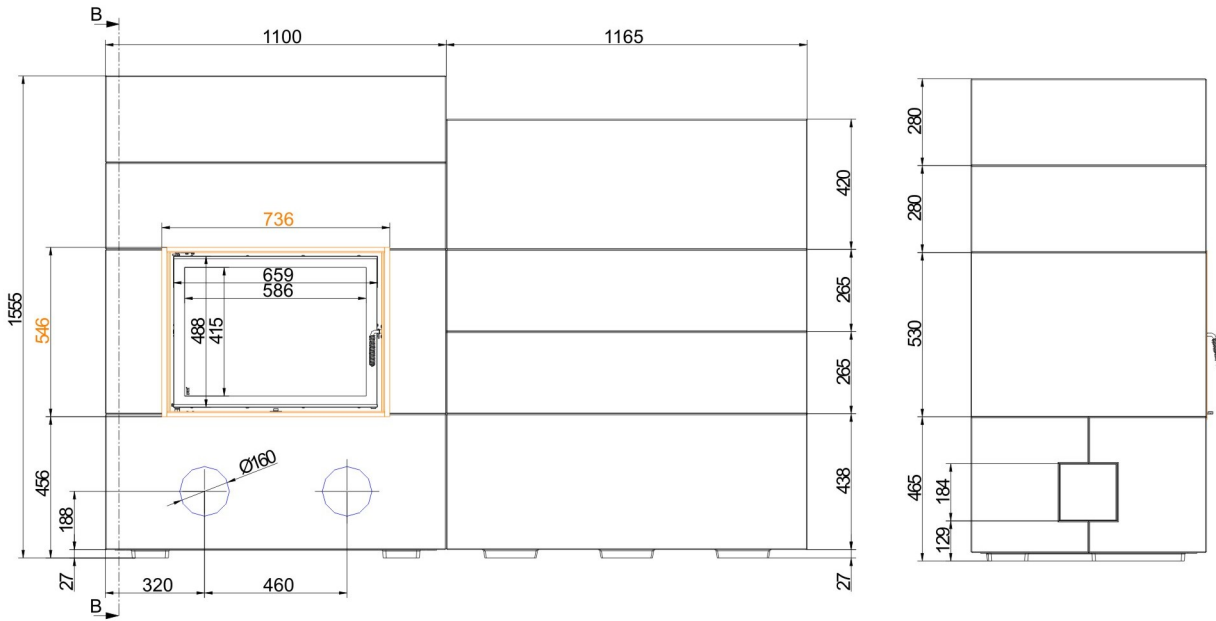
BRUNNER[®]
made in germany.

Dimension sheets - BSG 01 with MSS



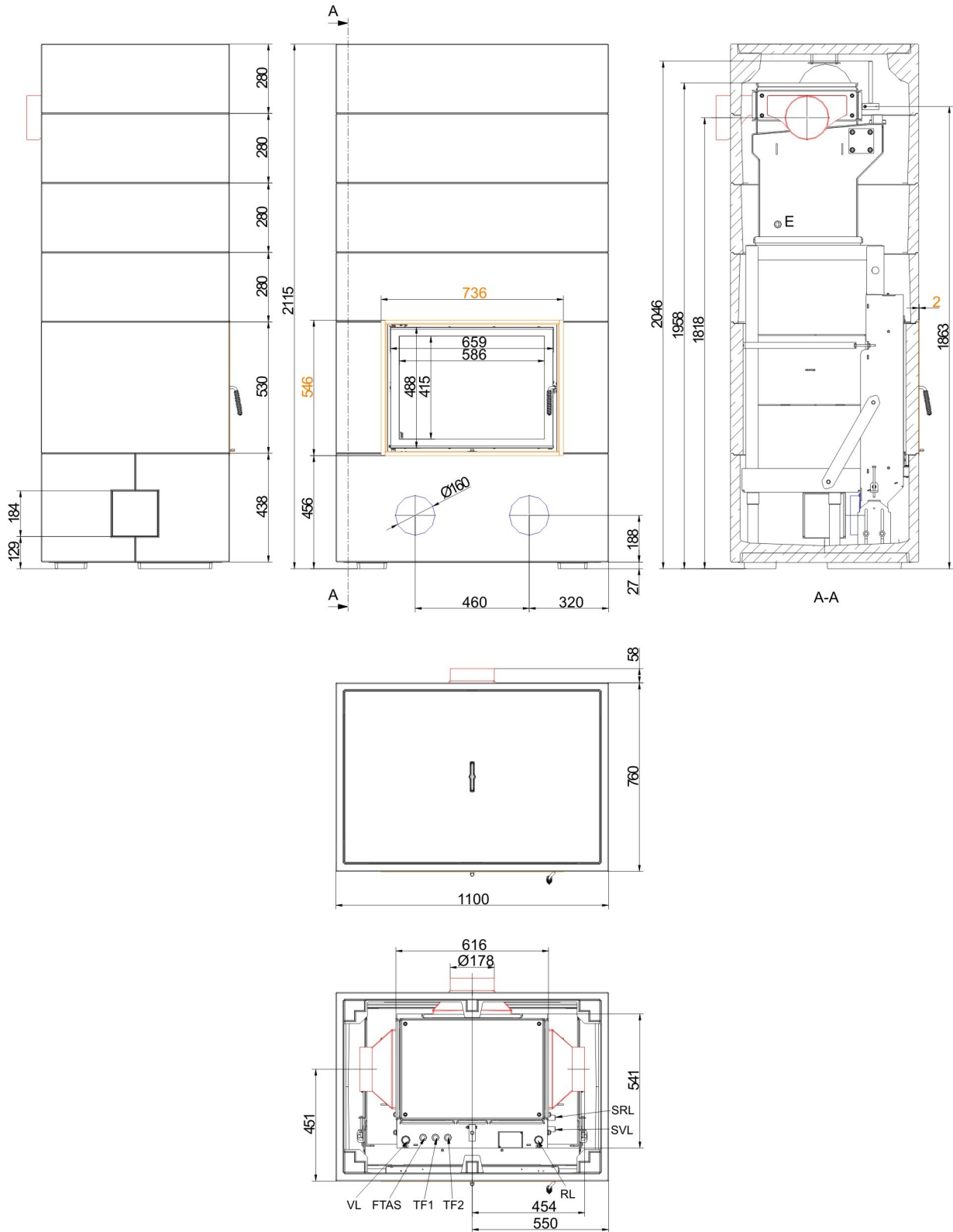
... top-mount

Dimension sheets - BSG 01 with MSS



... adjacent

Dimension sheets - BSG 01 with MSS



... with GOK A

We suggest for CAD planing Palette CAD. Permanent updated drawings: www.brunner.de
 Frames / front versions are marked colored.

Planning and installation - BSG 01 with MSS

Tested according to		EN 15250	EN 15250	EN 13229
Values measured at		top-mount MSS	adjacent MSS	GOK A
Data for functional demonstration				
System power ¹⁾	kW	2.2	2.8	1.4
Rated heat power	kW	-	-	14
Fire wood volume	kg/h	7.9	8.3	8.3
Combustion duration	h	2	2	2
Time of heat release ²⁾	h	12	12	12
Combustion performance	kW	31.6	33.2	33.2
Flue gas mass flow	g/s	24.4	25.5	25.5
Outlet temperature (before heating surface)	°C	550	550	550
Flue gas temperature after:				
accumulation stones (MSS)	°C	195	190	-
boiler	°C	-	-	180
Necessary supply pressure	Pa	13	13	13
Total fuel load	kg	12	17	17
Load of wood 1st/2nd combustion cycle	kg	8 + 4	9 + 8	9 + 8
Combustion air consumption	m ³ /h	71	74	74
Combustion air connection Ø	mm	160	160	160
Minimal distances				
to mounting wall	cm	5	5	5
to combustible mounting wall	cm	10	10	10
from top of fireplace to ceiling	cm	30	30	30
Heat distribution				
Insert / heat accumulator	%	30 / 50	30 / 50	30 / -
Glass pane (single / double)	%	- / 20	- / 20	- / 20
Boiler		-	-	50
Water boiler data				
Max. operating pressure	bar	-	-	100
Water volume	liter	-	-	63
Connections flow / return	inches	-	-	1
Weight				
Combustion chamber / accumulator	kg	520 / 298	520 / 332	520 / -
Cladding	kg	443	734	443
Top-mount boiler	kg	-	-	145
Total weight	kg	1261	1586	1108
Meets requirement/limit values for:				
Germany/ Austria / Suisse / Norway		1.BImSchV (Stufe 2) / 15a BVG (2015) / LRV / -		

1) Average heating power of the system (heat storage duration) with load of wood 1st/2nd combustion cycle

2) Time from firing star to reaching 25% of the maximum surface temperature against the room temperature