

## BRUNNER SYSTEM MASONRY HEATERS



### BSG 02 with MSS

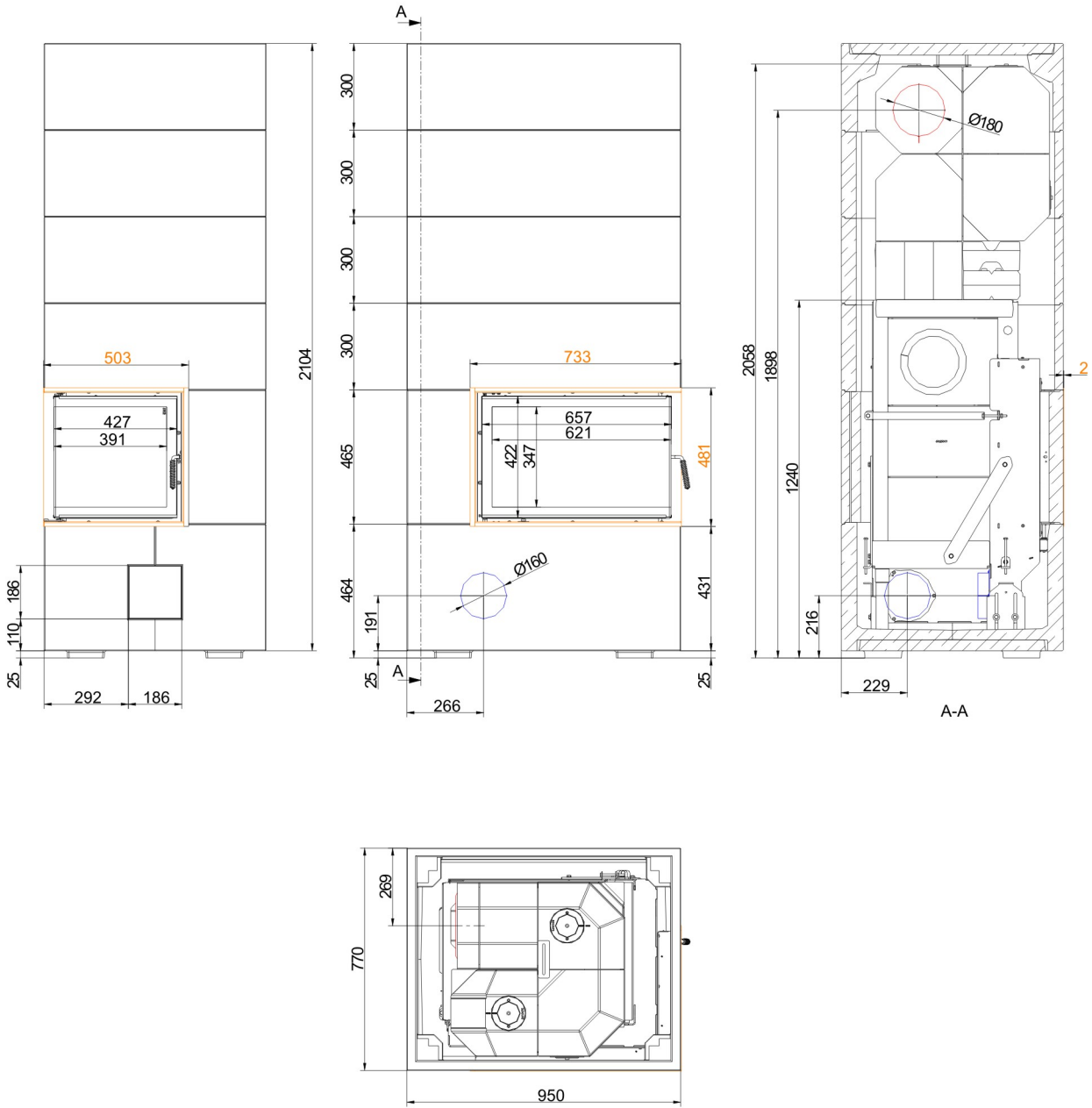
for GOT Eck 45/67/44-  
ZL DT with GOF 50x35

State: 2018-04-19



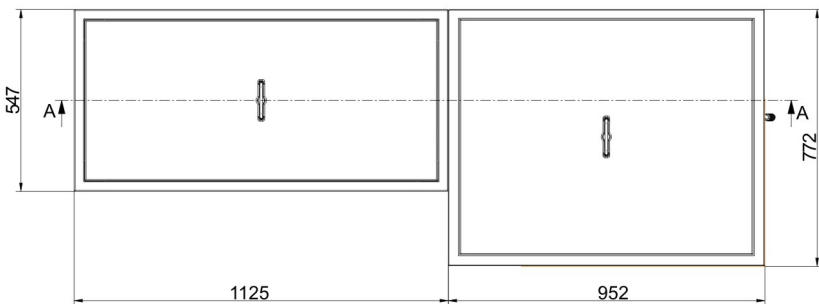
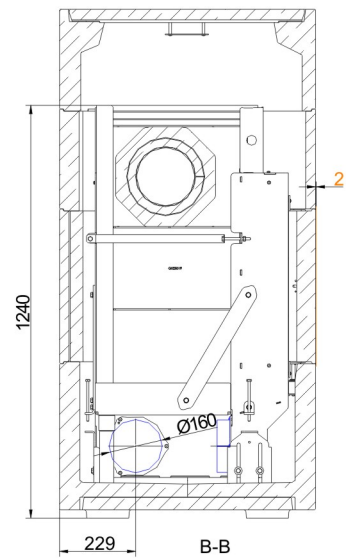
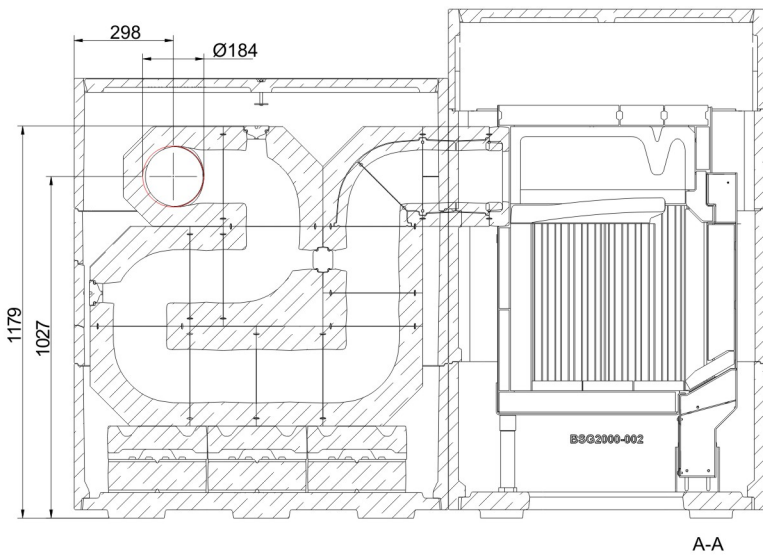
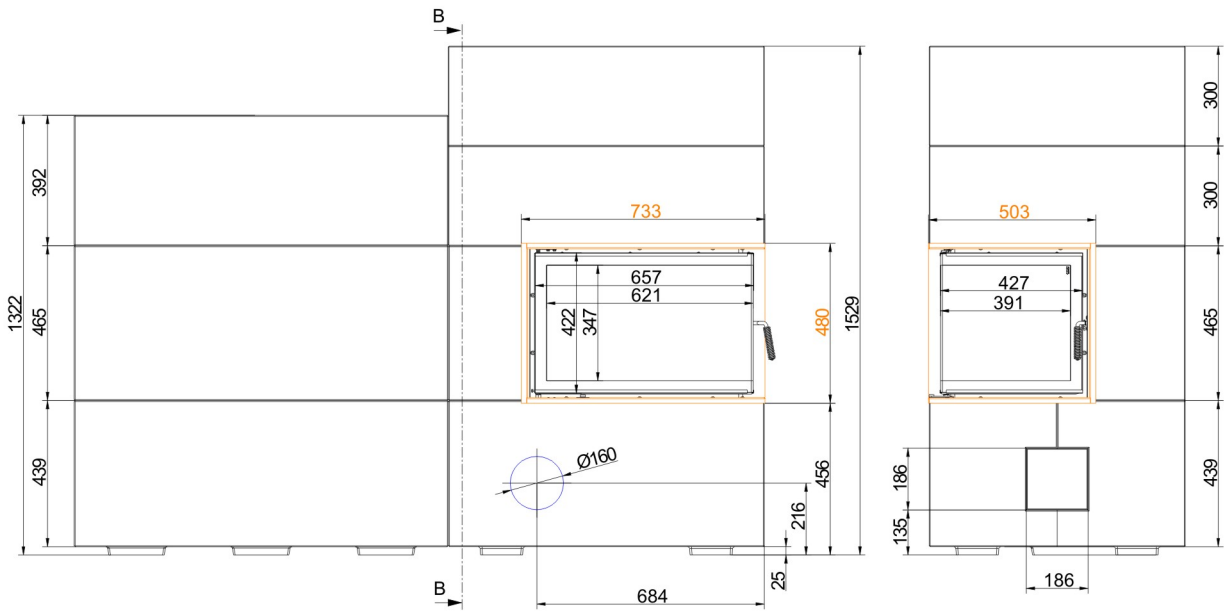
**BRUNNER**<sup>®</sup>  
*made in germany.*

# Dimension sheets - BSG 02 with MSS



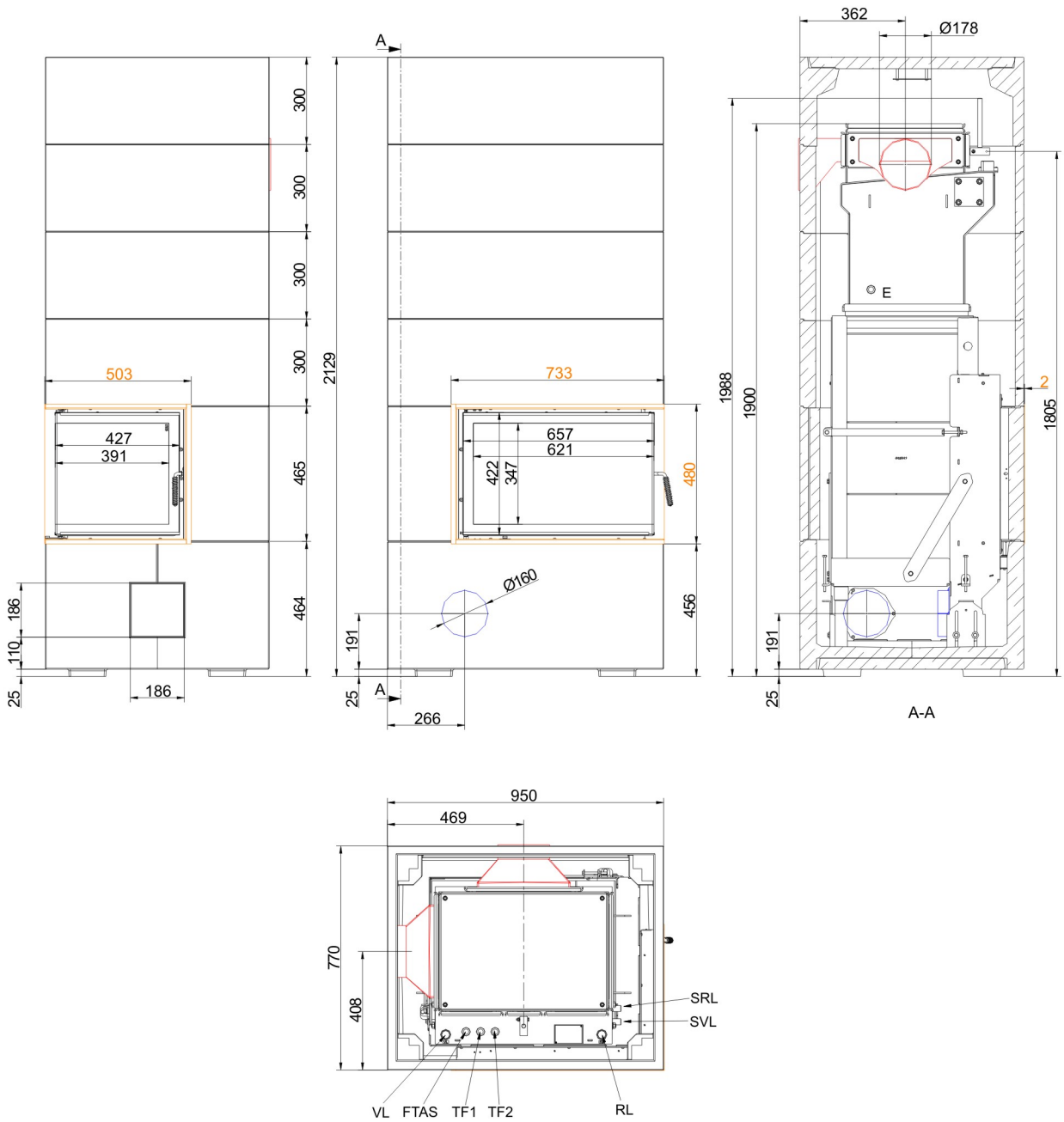
... top-mount

# Dimension sheets - BSG 02 with MSS



... adjacent

# Dimension sheets - BSG 02 with MSS



... with GOK A

We suggest for CAD planing Palette CAD. Permanent updated drawings: [www.brunner.de](http://www.brunner.de)  
 Frames / front versions are marked colored.

## Planning and installation - BSG 02 with MSS

Tested according to		EN 15250	EN 15250	EN 13229
Values measured at		top-mount MSS	adjacent MSS	GOK A
<b>Data for functional demonstration</b>				
System power <sup>1)</sup>	kW	2.5	3	1.3
Rated heat power	kW	-	-	14
Fire wood volume	kg/h	7.9	7.9	7.9
Combustion duration	h	2	2	2
Time of heat release <sup>2)</sup>	h	12	12	12
Combustion performance	kW	31.6	31.6	31.6
Flue gas mass flow	g/s	24.4	24.4	24.4
Outlet temperature (before heating surface)	°C	530	530	530
Flue gas temperature after:				
accumulation stones (MSS)	°C	210	195	-
boiler	°C	-	-	180
Necessary supply pressure	Pa	13	13	13
Total fuel load	kg	12.5	13.5	13.5
Load of wood 1st/2nd combustion cycle	kg	8 + 4,5	8 + 5,5	8 + 5,5
Combustion air consumption	m <sup>3</sup> /h	71	71	71
Combustion air connection Ø	mm	160	160	160
<b>Minimal distances</b>				
to mounting wall	cm	5	5	5
to combustible mounting wall	cm	10	10	10
from top of fireplace to ceiling	cm	30	30	30
<b>Heat distribution</b>				
Insert / heat accumulator	%	15 / 50	15 / 50	15 / -
Glass pane (single / double)	%	35 / -	35 / -	35 / -
Boiler		-	-	50
<b>Water boiler data</b>				
Max. operating pressure	bar	-	-	100
Water volume	liter	-	-	63
Connections flow / return	inches	-	-	1
<b>Weight</b>				
Combustion chamber / accumulator	kg	415 / 300	415 / 343	415 / -
Cladding	kg	467	663	467
Top-mount boiler	kg	-	-	145
Total weight	kg	1182	1421	1027
<b>Meets requirement/limit values for:</b>				
Germany/ Austria / Suisse / Norway		1.BImSchV (Stufe 2) / 15a BVG (2015) / LRV / -		

1) Average heating power of the system (heat storage duration) with load of wood 1st/2nd combustion cycle

2) Time from firing star to reaching 25% of the maximum surface temperature against the room temperature