

TILE STOVE INSERTS FROM BRUNNER



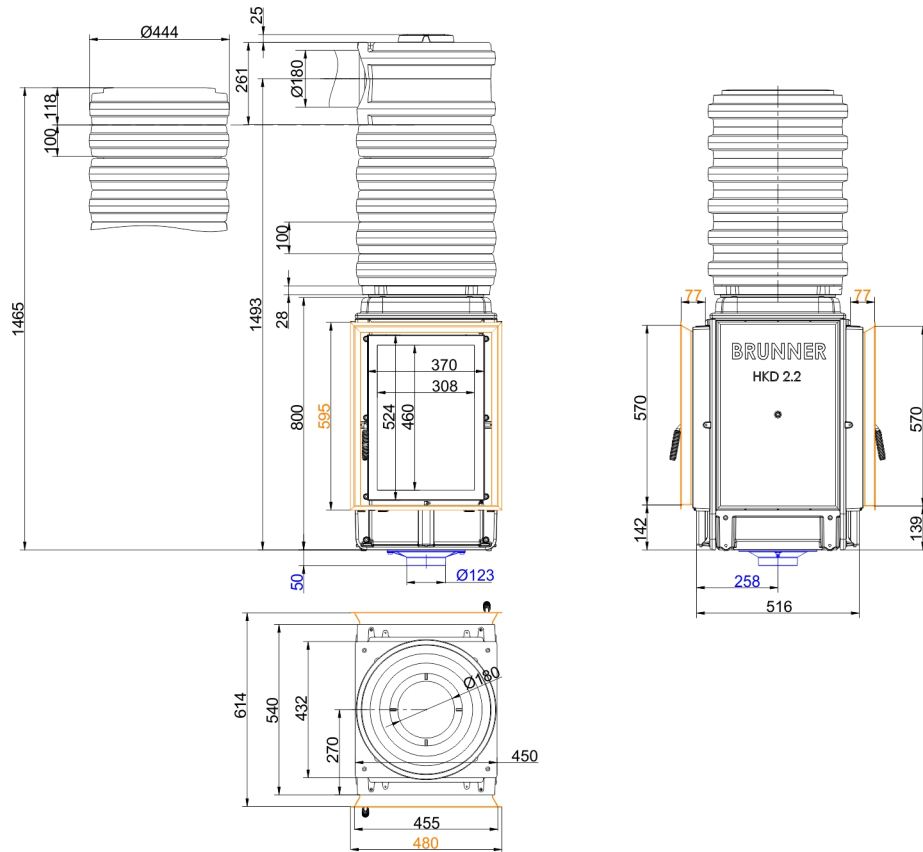
HKD 2.2 Tunnel

State: 2018-05-15

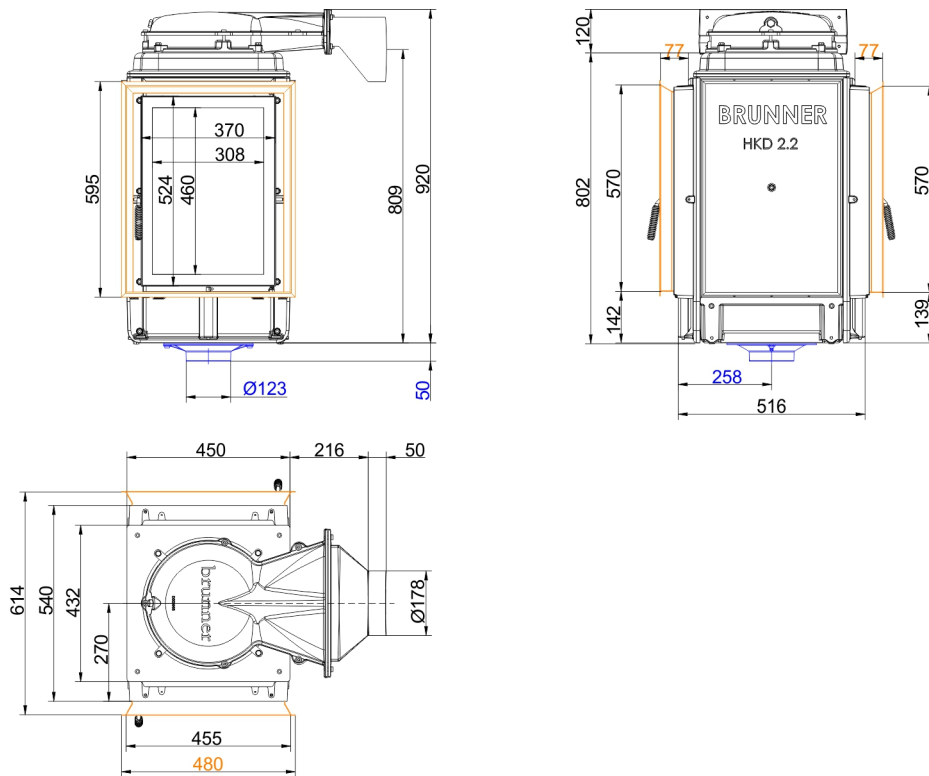


BRUNNER[®]
made in germany.

Dimension sheets - HKD 2.2 Tunnel

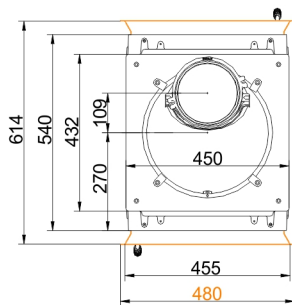
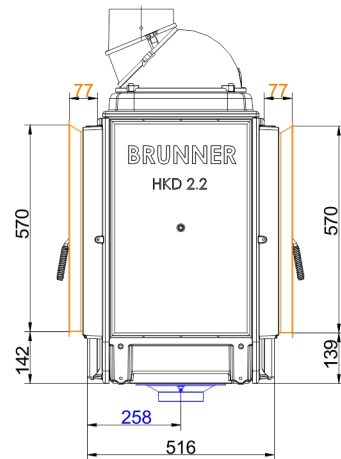
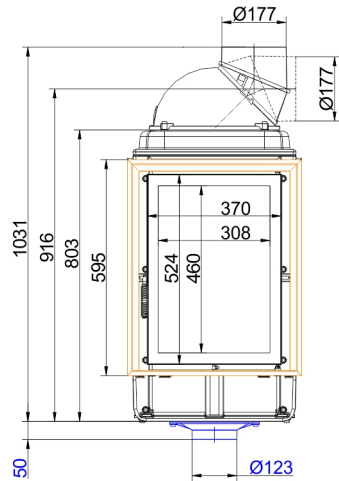


... flat glass with MAS and stell door frame

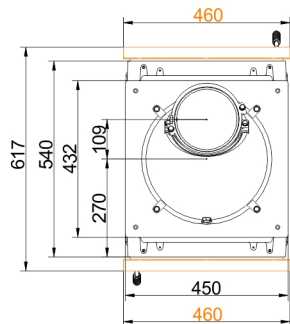
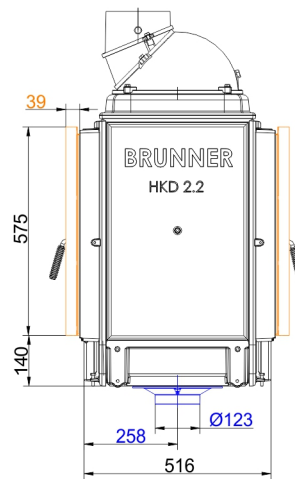
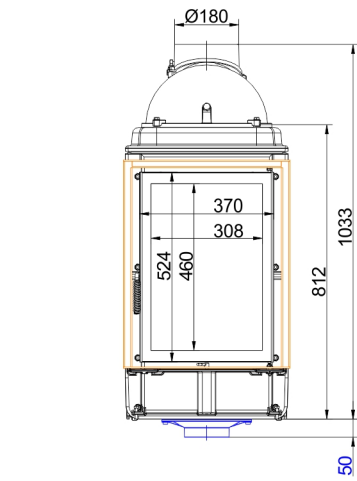


... door frame with lower cast iron dome

Dimension sheets - HKD 2.2 Tunnel

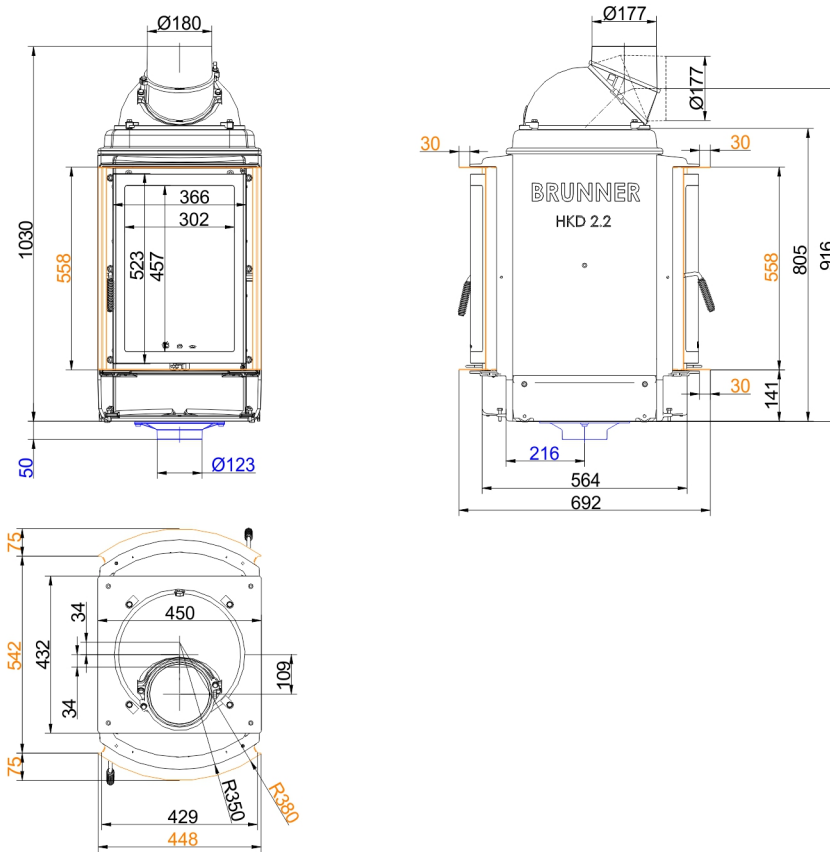


... flat glass with steel door frame

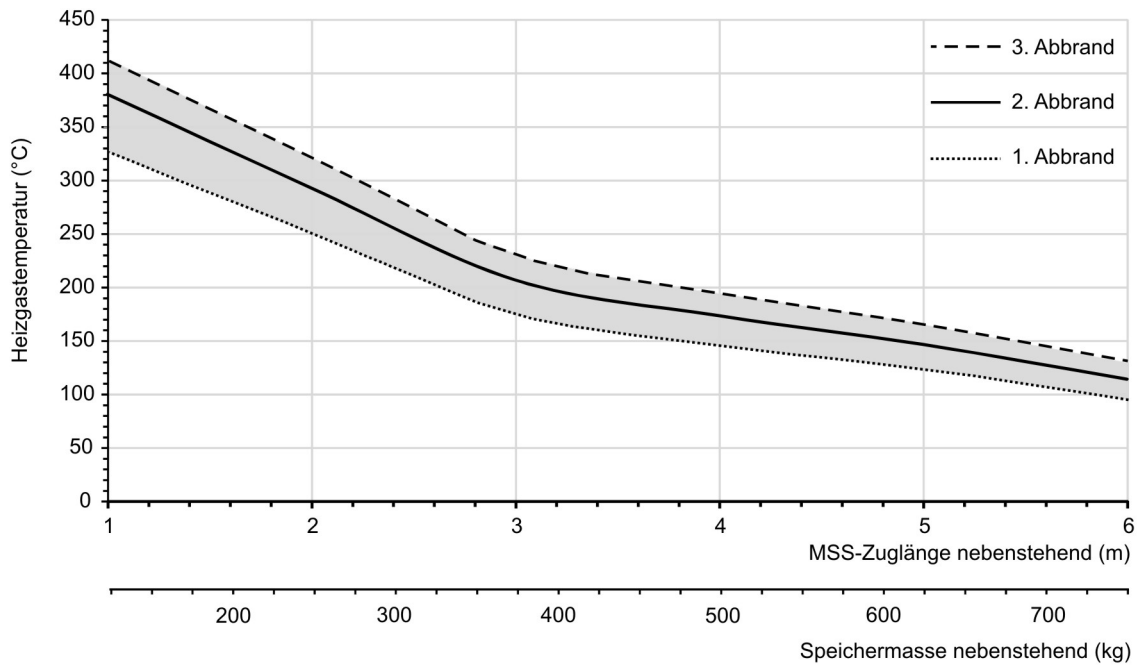


... flat with mounting frame made of crude steel

Dimension sheets - HKD 2.2 Tunnel



... round glass with steel door frame



Design characteristics for adjacent storage mass

We suggest for CAD planing Palette CAD. Permanent updated drawings: www.brunner.de
 Frames / front versions are marked colored.

Planning and installation - HKD 2.2 Tunnel

Tested according to		EN 13229 W	EN 13229 WA
Values measured at		Rated capacity	Accumulation
Suitable for all construction types according to rules		OK	OK
EEl		120.1	120.1
Data for functional demonstration			
Rated heat power	kW	9	-
Fire wood volume	kg/h	2.5	4
Combustion performance	kW	11	17
Flue gas mass flow	g/s	7	17
Outlet temperature (before heating surface)	°C	480	520
Flue gas temperature after:			
1 x adjoining cast iron radiator (GNF 8/10)	°C	145	165
6 x accumulation rings (MAS) ¹⁾	°C	220	-
4,1 m ceramic accumulator ²⁾	°C	-	180
2,8 m accumulation stones (MSS) ²⁾	°C	-	215
boiler	°C	210	-
Necessary supply pressure	Pa	12	15
Combustion air consumption	m ³ /h	25	45
Combustion air connection Ø	mm	125	125
Heat distribution			
Insert / heat accumulator	%	40 / 30 - 35	40 / 30 - 35
Glass pane (single / double)	%	30 / 25	30 / 25
Heat output			
Heating surface	m ²	1.3	-
Heizgasrohr	m ²	0.5	-
GNF 10	Stück	1	-
Metalic reheating surface	m ²	1.7	-
Cross-section of gratings ³⁾			
Convection air	cm ²	500 / 250 / 550	500 / 250 / 550
Supply air	cm ²	500 / 250 / 550	500 / 250 / 550
Minimal distances of the fireplace			
to insulation layer	cm	6	8
to mounting floor	cm	15	15
Thermal insulation without / with air gratings ⁴⁾			
Mounting wall	cm	14 / 10	14 / 10
Floor	cm	0	0
Ceiling	cm	22 / 16	22 / 16
Brick lining for combustible wall	cm	10	10
Weight			
Fireplace / combustion chamber	kg	199 / 46	
Meets requirement/limit values for:			
Germany/ Austria / Suisse / Norway		1.BImSchV (Stufe 2) / 15a BVG (2015) / LRV / -	

1) Damper flap recommended

2) Approximate value. Determination according to design characteristics for adjacent storage mass or proof of function provided by calculation

3) for fireplace inserts / flue gas pipe / metallic reheating surface

4) Values determined with upper air sections; stove cladding is heat emitting.

Ulrich Brunner GmbH
 Zellhuber Ring 17 - 18
 D-84307 Eggenfeldern
 Telefonat: +49 / (0)87 21 / 7 71-0
 Telefax: +49 / (0)87 21 / 7 71-100
 info@brunner.de | www.brunner.de

BRUNNER®
made in germany.