

TILE STOVE INSERTS FROM BRUNNER



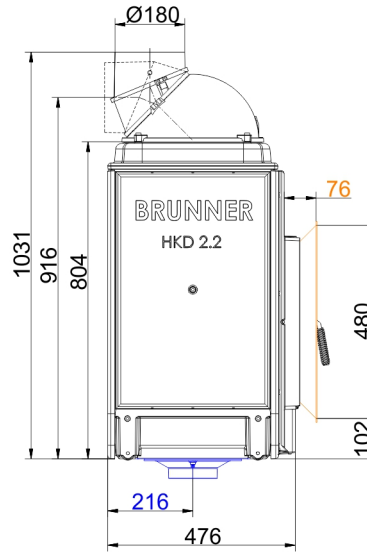
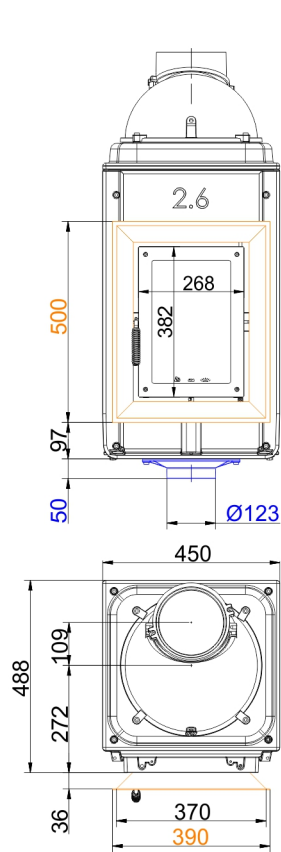
HKD 2.6

State: 2018-03-28

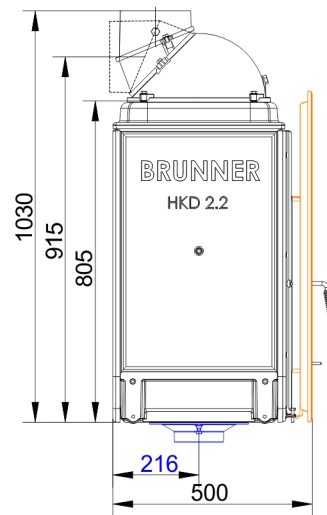
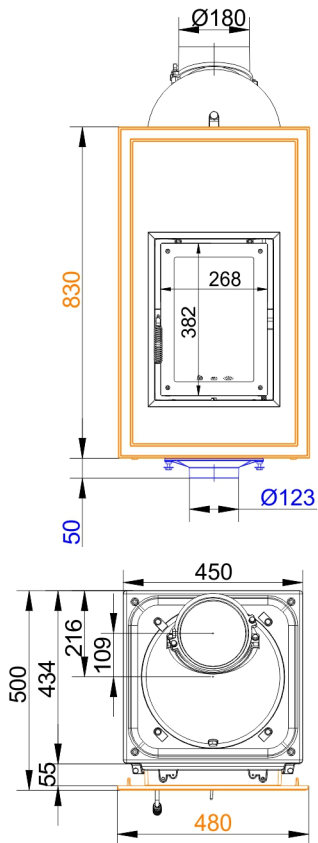


BRUNNER[®]
made in germany.

Dimension sheets - HKD 2.6

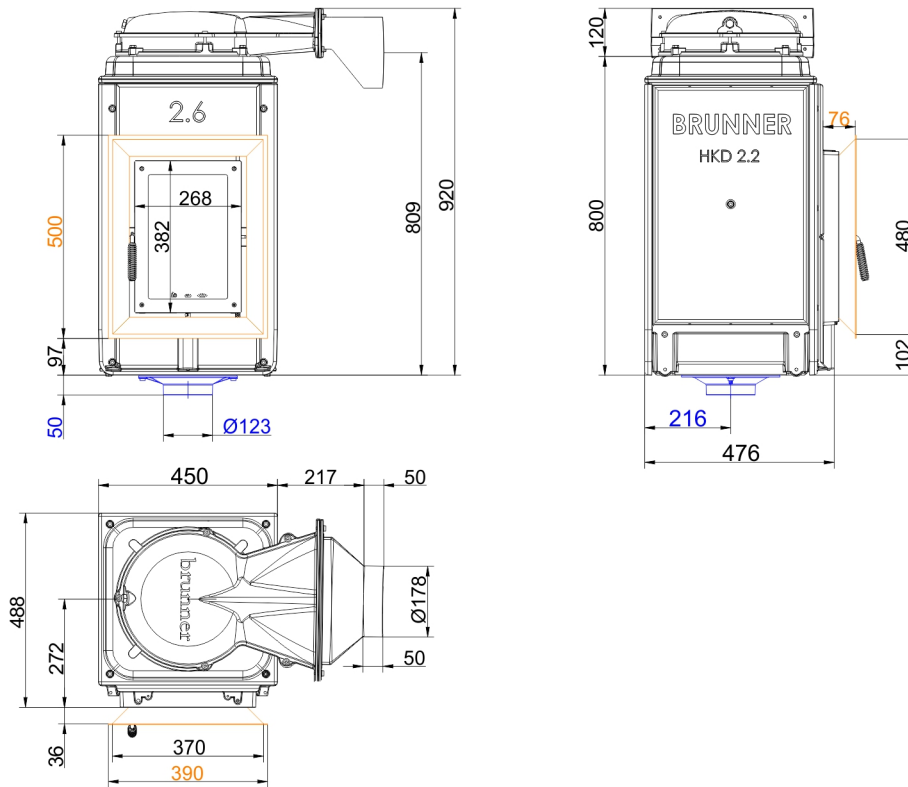


... with cast iron dome and steel door frame

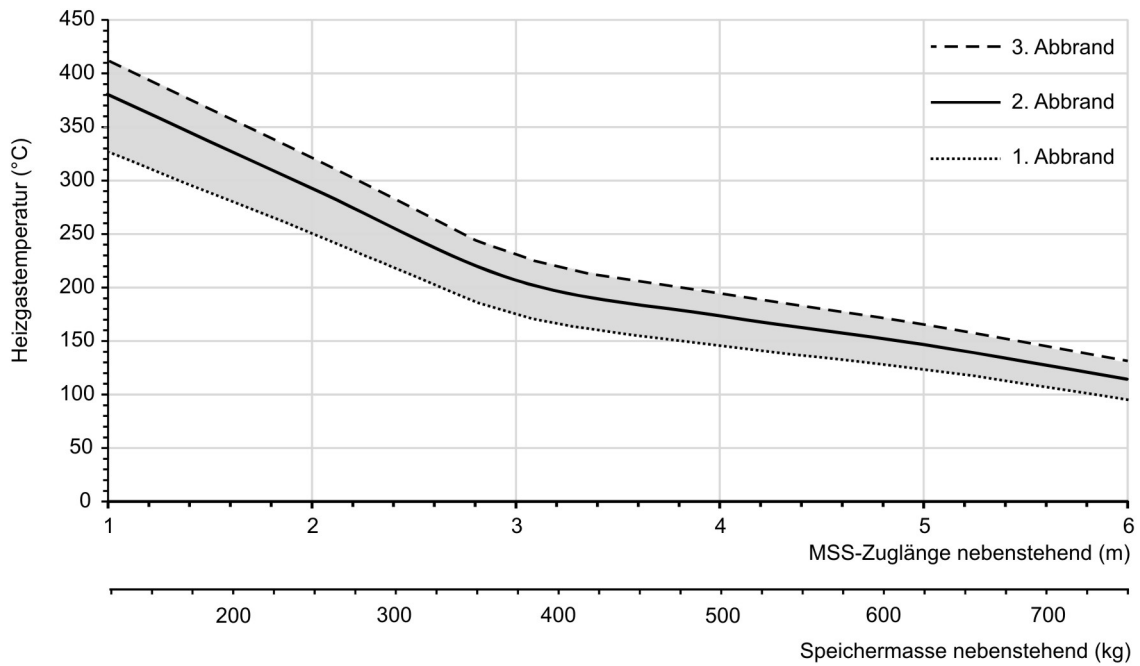


... with cast iron dome and cast iron front plate

Dimension sheets - HKD 2.6



... door frame with lower cast iron dome



Design characteristics for adjacent storage mass

We suggest for CAD planing Palette CAD. Permanent updated drawings: www.brunner.de
 Frames / front versions are marked colored.

Planning and installation - HKD 2.6

| | | | |
|---|-------------------|--|-----------------|
| Tested according to | | EN 13229 W | EN 13229 WA |
| Values measured at | | Rated capacity | Accumulation |
| Suitable for all construction types according to rules | | OK | OK |
| EEl | | 120.1 | 120.1 |
| Data for functional demonstration | | | |
| Rated heat power | kW | 9 | - |
| Fire wood volume | kg/h | 2.5 | 4 |
| Combustion performance | kW | 11 | 17 |
| Flue gas mass flow | g/s | 10 | 17 |
| Outlet temperature (before heating surface) | °C | 495 | 520 |
| Flue gas temperature after: | | | |
| 1 x adjoining cast iron radiator (GNF 8/10) | °C | 122 | 165 |
| 1 x accumulation rings (MAS) ¹⁾ | °C | 220 | - |
| 4,1 m ceramic accumulator ²⁾ | °C | - | 180 |
| accumulation stones (MSS) ²⁾ | °C | - | 215 |
| boiler | °C | 210 | - |
| Necessary supply pressure | Pa | 12 | 15 |
| Combustion air consumption | m ³ /h | 25 | 45 |
| Combustion air connection Ø | mm | 125 | 125 |
| Heat distribution | | | |
| Insert / heat accumulator | % | 45 / 40 - 45 | 45 / 40 - 45 |
| Glass pane (single / double) | % | 15 / 10 | 15 / 10 |
| Cross-section of gratings ³⁾ | | | |
| Convection air | cm ² | 500 / 250 / 550 | 500 / 250 / 550 |
| Supply air | cm ² | 500 / 250 / 550 | 500 / 250 / 550 |
| Minimal distances of the fireplace | | | |
| to insulation layer | cm | 6 | 6 |
| to mounting floor | cm | 15 | 15 |
| Thermal insulation without / with air gratings ⁴⁾ | | | |
| Mounting wall | cm | 12 / 8 | 12 / 8 |
| Floor | cm | 0 | 0 |
| Ceiling | cm | 22 / 16 | 22 / 16 |
| Isolation around the additional door | | 6 | 6 |
| Brick lining for combustible wall | cm | 10 | 10 |
| Weight | | | |
| Fireplace / combustion chamber | kg | 224 / 63 | |
| Meets requirement/limit values for: | | | |
| Germany/ Austria / Suisse / Norway | | 1.BImSchV (Stufe 2) / 15a BVG (2015) / LRV / - | |

1) Damper flap recommended

2) Approximate value. Determination according to design characteristics for adjacent storage mass or proof of function provided by calculation

3) for fireplace inserts / flue gas pipe / metallic reheating surface

4) Values determined with upper air sections; stove cladding is heat emitting.