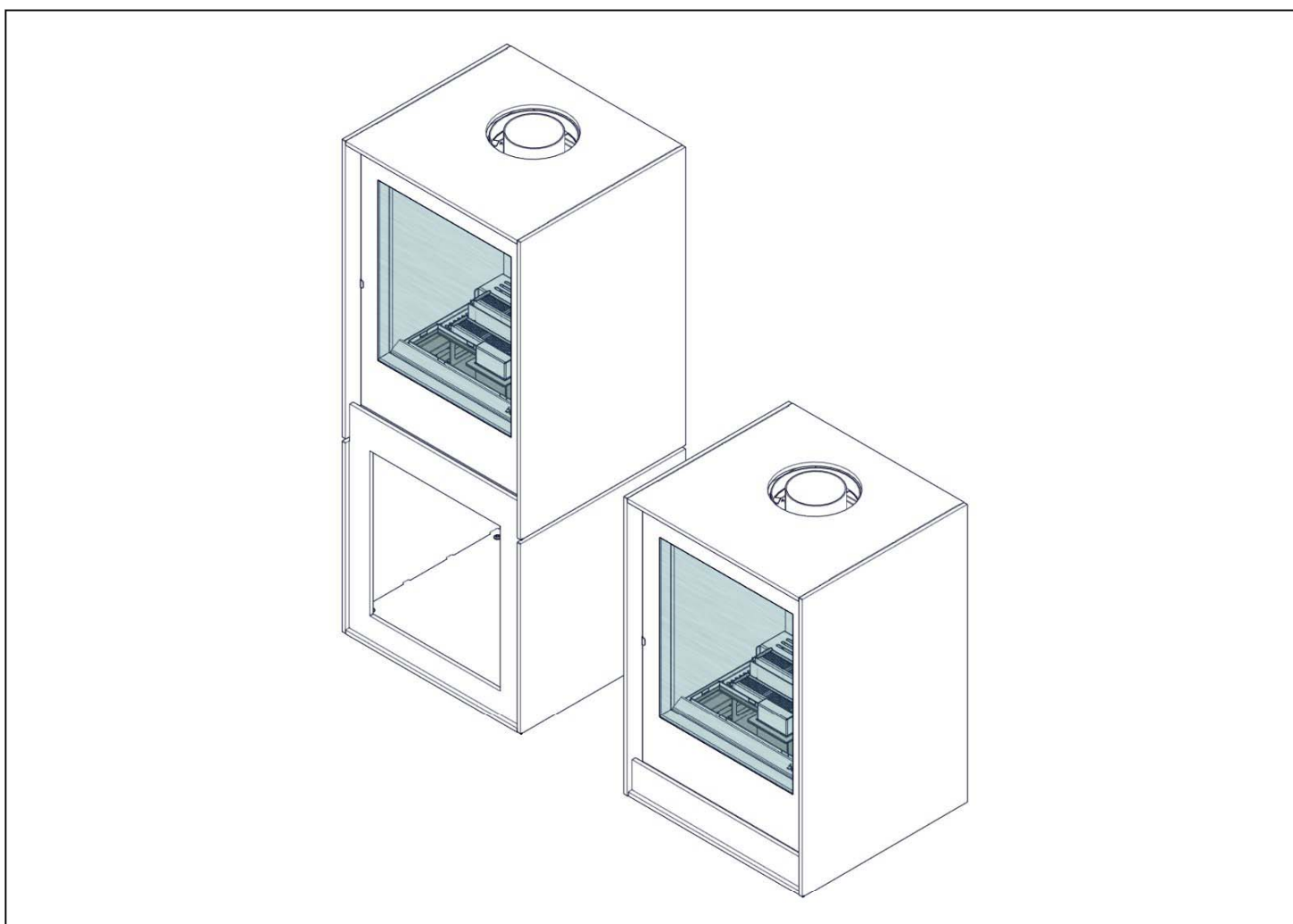


bellfires. ^{gas fires}

Installation and maintenance manual

Box Gas 65 MF



CE

Serial number:

Production date:

© **Barbas Bellfires BV**

This document or parts thereof may not be reproduced, stored in a retrieval system, or transmitted, in any form or by any means, electronic, mechanical, photocopying, recording, nor otherwise, without the prior written permission of Barbas Bellfires BV. This document could contain technical inaccuracies or typographical errors. Barbas Bellfires BV reserves the right to revise this document from time to time in the contents thereof.

Contact information

Barbas Bellfires BV

Hallenstraat 17, 5531 AB Bladel, The Netherlands

Phone: +31 49 733 9200

E-mail: info@bellfires.com

Contents

1	About this document	5
1.1	How to work with this document	5
1.2	Warnings and cautions used in this document	5
1.3	Related documentation	5
2	Description	6
2.1	Intended use	6
2.2	Installation options	6
2.3	Overview of a typical installation	6
2.4	Overview of the appliance	7
2.5	Overview of the burner bed and the pilot light	8
2.6	Overview of the ceramic log set	8
2.7	Overview of the control elements	11
2.7.1	Overview of the rear of the gas regulator block	11
2.7.2	Overview of the front of the gas regulator block	12
2.7.3	Overview of the connections on the gas regulator block	13
2.7.4	Overview of the receiver	14
2.7.5	Overview of the fan/light module	15
3	Safety	16
3.1	Safety devices on the appliance	16
3.2	Safety instructions for installation	16
3.3	Safety distances to flammable and nonflammable materials	17
3.4	Safety instructions with regard to the environment	19
4	Installation	20
4.1	Installation prerequisites	20
4.2	Installation procedure	20
4.2.1	Install the appliance	20
4.2.2	Natural stone platform	21
4.2.3	Horizontally align the appliance	21
4.2.4	Make the gas connection	21
4.2.5	Do a check on the gas connections	21
4.2.6	Make the electrical connection	22
4.2.7	Connect the concentric flue system	22
4.2.8	Install the flue gas restriction plate	22
4.2.9	Remove the baffle plate	22
4.3	Prepare the appliance for use	23
4.3.1	Do a check on the operation of the lighting	23
4.3.2	Put the ceramic log set on the burner bed	23
4.3.3	Do a final check on the appliance	26
5	Maintenance	27
5.1	Annual maintenance	27
5.1.1	Clean the appliance	27
5.1.2	Do a check on the appliance	28
5.2	Maintenance procedures	28

5.2.1	Remove the door (including glass)	28
5.2.2	Install the door (including glass)	29
5.2.3	Clean the glass	30
5.2.4	Replace the ambient light bulb when broken	30
6	Troubleshooting	31
7	Technical specification	32
7.1	Box Gas 65 MF (MagniFire) - GB, IE, ES, IT	32
7.2	Diagram electricity and gas	34
7.3	Dimensions Box Gas 65	35
7.4	Dimensions Box Gas 65 with Storage module	36
7.5	Dimensions of the restriction plate	36
8	Warranty Terms	37
9	EU-Declaration of Conformity	39

1 About this document

This document shows the necessary information to do these tasks on the Box Gas 65 MF:

- Installation
- Maintenance

This document refers to the Box Gas 65 MF as 'the appliance'. This document is an essential part of your appliance. Read it carefully before you do work on the appliance. Keep it in a safe place.

The original instructions of the document are in English. All other language versions of the document are translations of the original instructions. It is not always possible to provide a detailed illustration of every single item of the equipment. The illustrations in this document show a typical setup. The illustrations are for instructional use only.

1.1 How to work with this document

1. Make yourself familiar with the structure and content of the document.
2. Read the safety chapter in detail.
3. Make sure that you understand all the instructions.
4. Do the procedures completely and in the given sequence.

1.2 Warnings and cautions used in this document

Warning



If you do not obey these instructions, there is a risk that can cause personal injury or death.

Caution

If you do not obey these instructions, there is a risk of damage to the equipment or to property.

Note

A note shows more information.

Symbol	Description
	Visual sign that there is a hazard
	Visual sign that there is a notice

1.3 Related documentation

- Preparation manual
- Installation and maintenance manual
- User manual

2 Description

2.1 Intended use

The appliance is intended for use in a completely sealed or mechanically ventilated house without extra ventilation and/or fume extraction to heat the room wherein it is installed. Do not use it for other purposes.

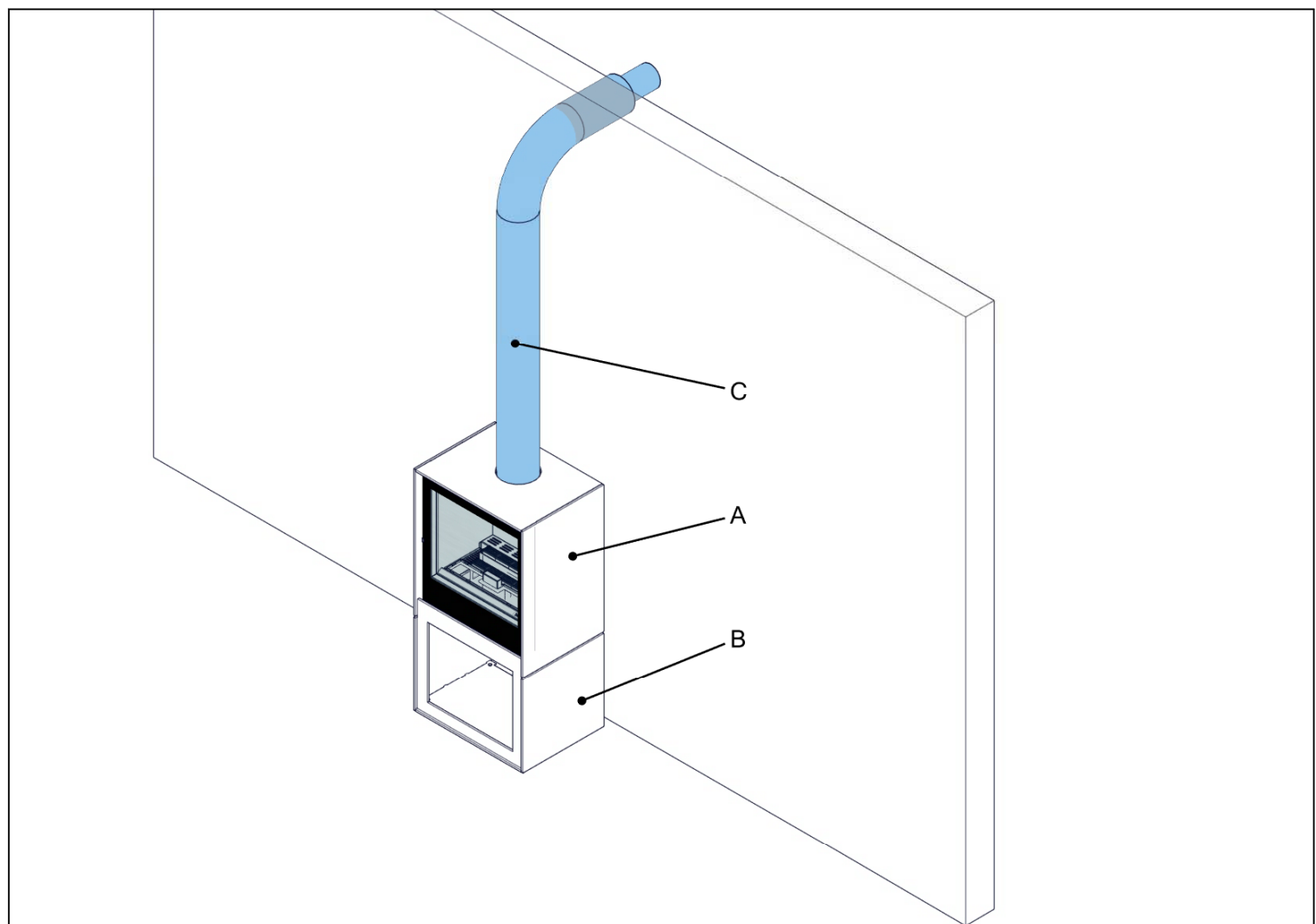
The appliance may only be used at a location that meets the requirements for the installation of the appliance. Refer to the preparation manual.

2.2 Installation options

The appliance is supplied with a MF (MagniFire) double burner.

- The appliance can be installed with a storage module, which will be assembled on the appliance from the factory.

2.3 Overview of a typical installation

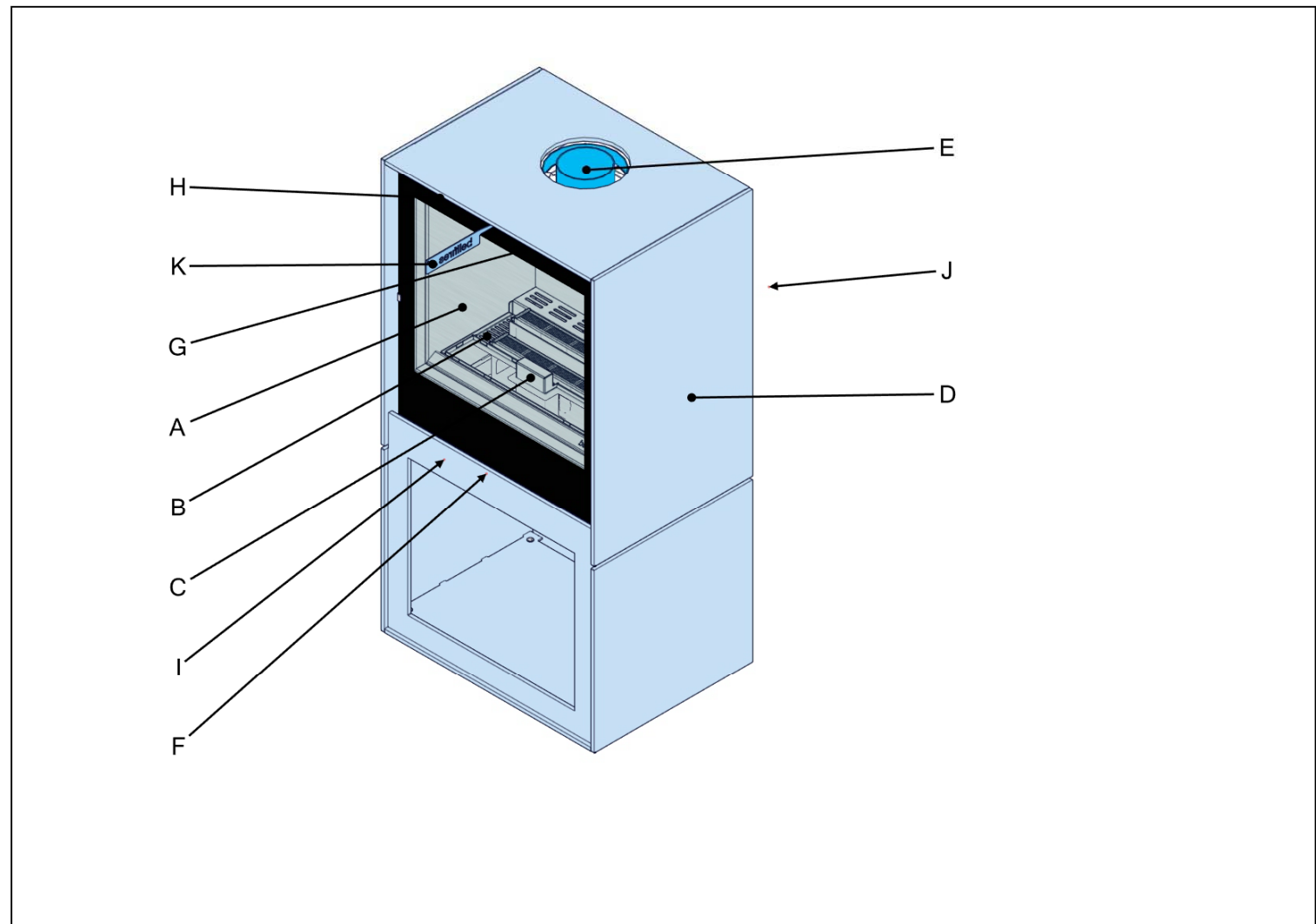


Note:

This is an example of a typical installation with the storage module option and a wall outlet for the concentric flue, your installation can be different.

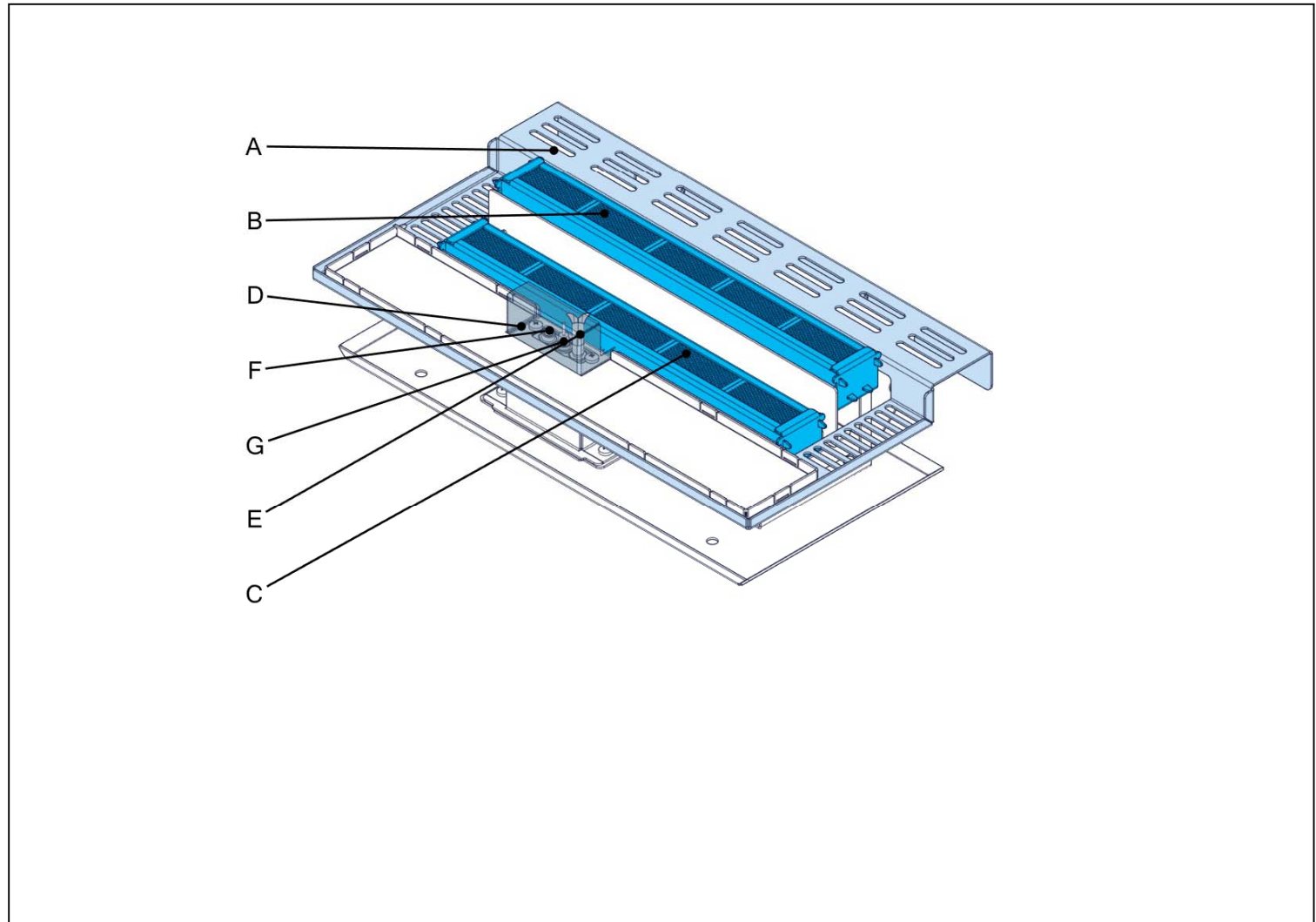
	Item	Description
A	Appliance	Decorative gas fire that heats the room
B	Storage module (option)	Decorative module for under the appliance
C	Concentric flue system (wall outlet variant)	The concentric flue system provides combustion air to the appliance and extracts the flue gases from the appliance

2.4 Overview of the appliance




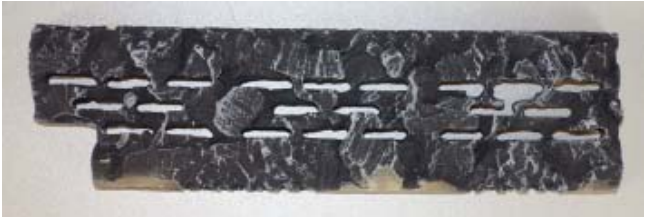

	Item	Description
A	Glass	The heat resistant glass keeps the flue gases inside the appliance and closes the combustion chamber off
B	Burner bed	Top side of the gas burner and grate
C	Pilot light burner	Provides a pilot light
D	Box (Optional with a storage module)	A decorative casing around the combustion chamber and control unit
E	Concentric flue connection	The connection to the concentric flue system that provides combustion air and extracts the flue gases
F	Inlet opening convection air	An inlet opening in the front of the appliance which is connected to the convection casing
G	Outlet opening convection air	An outlet opening in the front of the appliance which is connected to the convection casing
H	Overpressure door	Protects the appliance against an overpressure
I	Control unit	Contains the gas regulator block, receiver and the light module
J	Convection casing	Collects the heated convection air. The convection air has a natural upward flow and is extracted by the upper front side openings of the appliance
K	Hook	For opening the door (including glass)

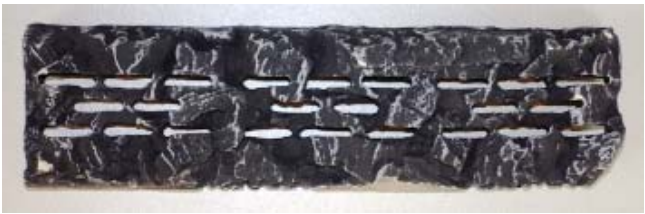
2.5 Overview of the burner bed and the pilot light









	Item	Description
A	Grate	Combustion air gets in the combustion chamber through the grate around the main burner
B	Main burner (upper part)	Supplies the gas for the main upper fire
C	Main burner (lower part)	Supplies the gas for the main lower fire
D	Pilot light outer casing	Protective cover for the pilot light
E	Pilot light burner	Supplies the gas for the pilot light
F	Thermocouple	Detects if the pilot light is on
G	Ignition electrode	Supplies a spark to ignite the pilot light

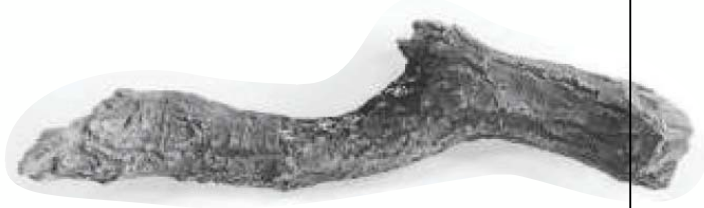


2.6 Overview of the ceramic log set


No.	Ember grate	No.	Ember grate with pilot opening
3T		3TV	
3T			

No.	Ember grate	No.	Ember grate with pilot opening
3T			

No.	'Fire glass' Dark Amber	No.	Embers
			

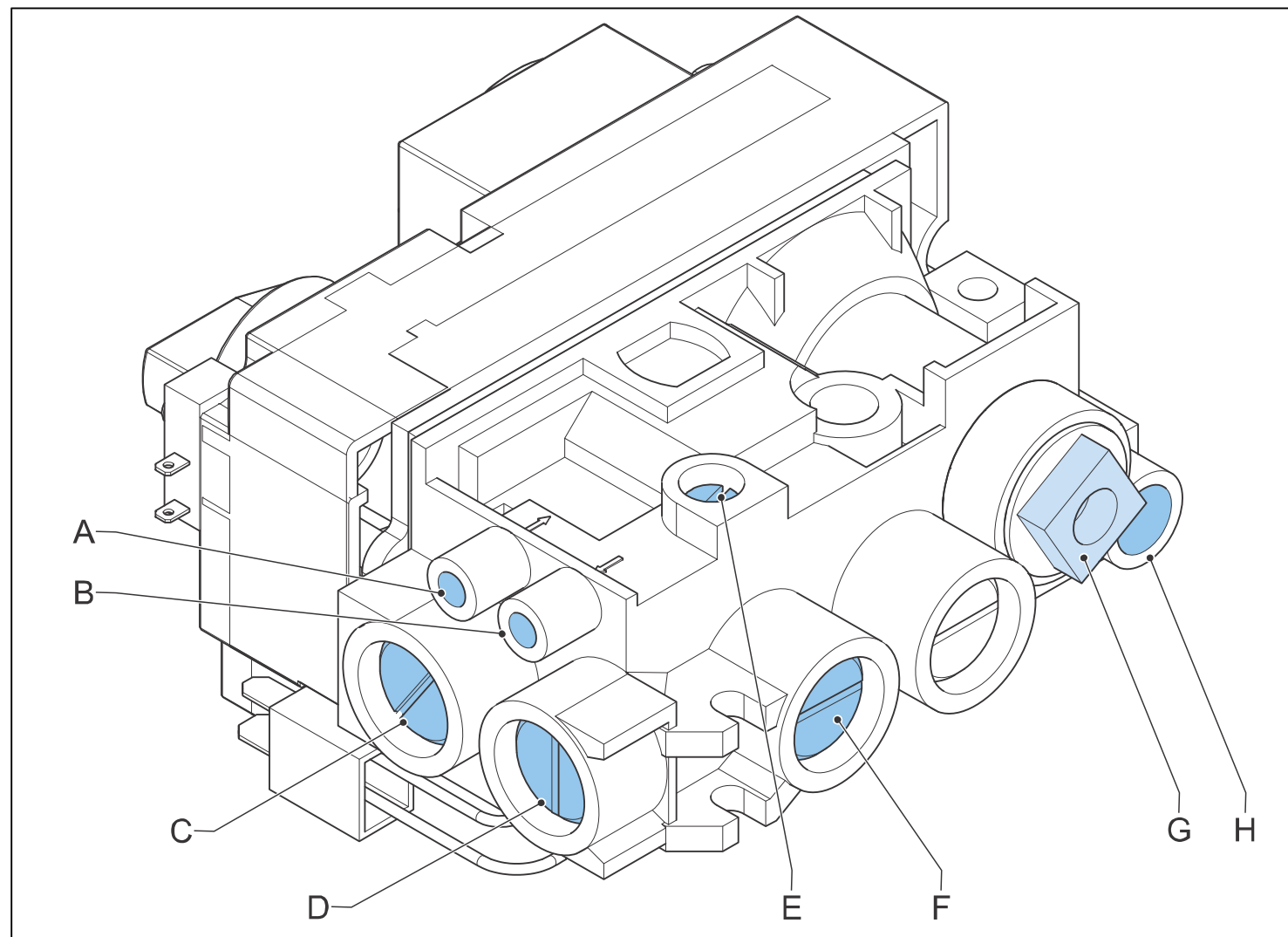
No.	Log	No.	Charcoal
1		21	
2		22	

No.	Log	No.	Charcoal
4		25	
6			

No.	Wood chip	No.	Wood chip
P70 6		P70 7	
P70 6			

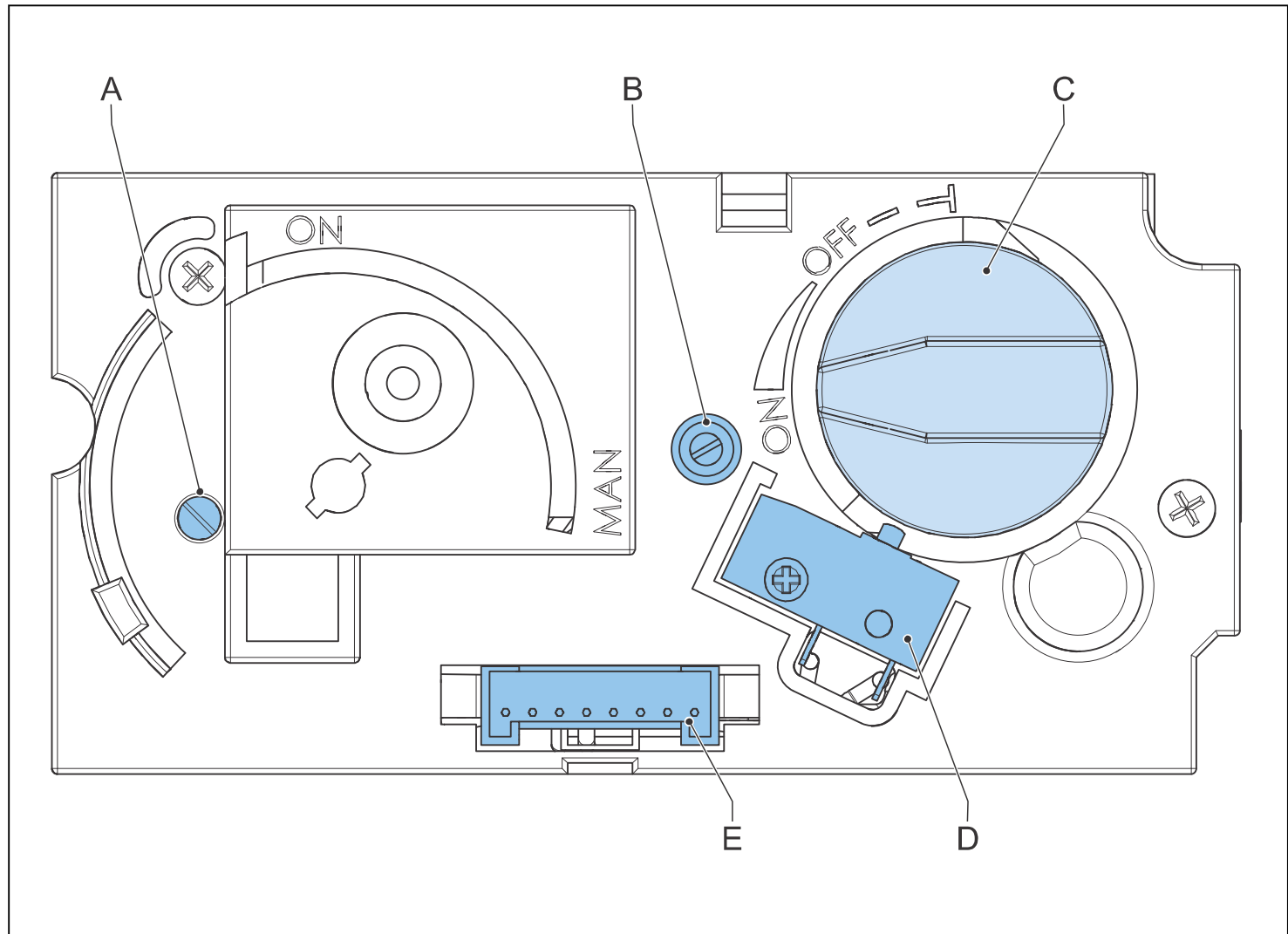
2.7 Overview of the control elements

2.7.1 Overview of the rear of the gas regulator block



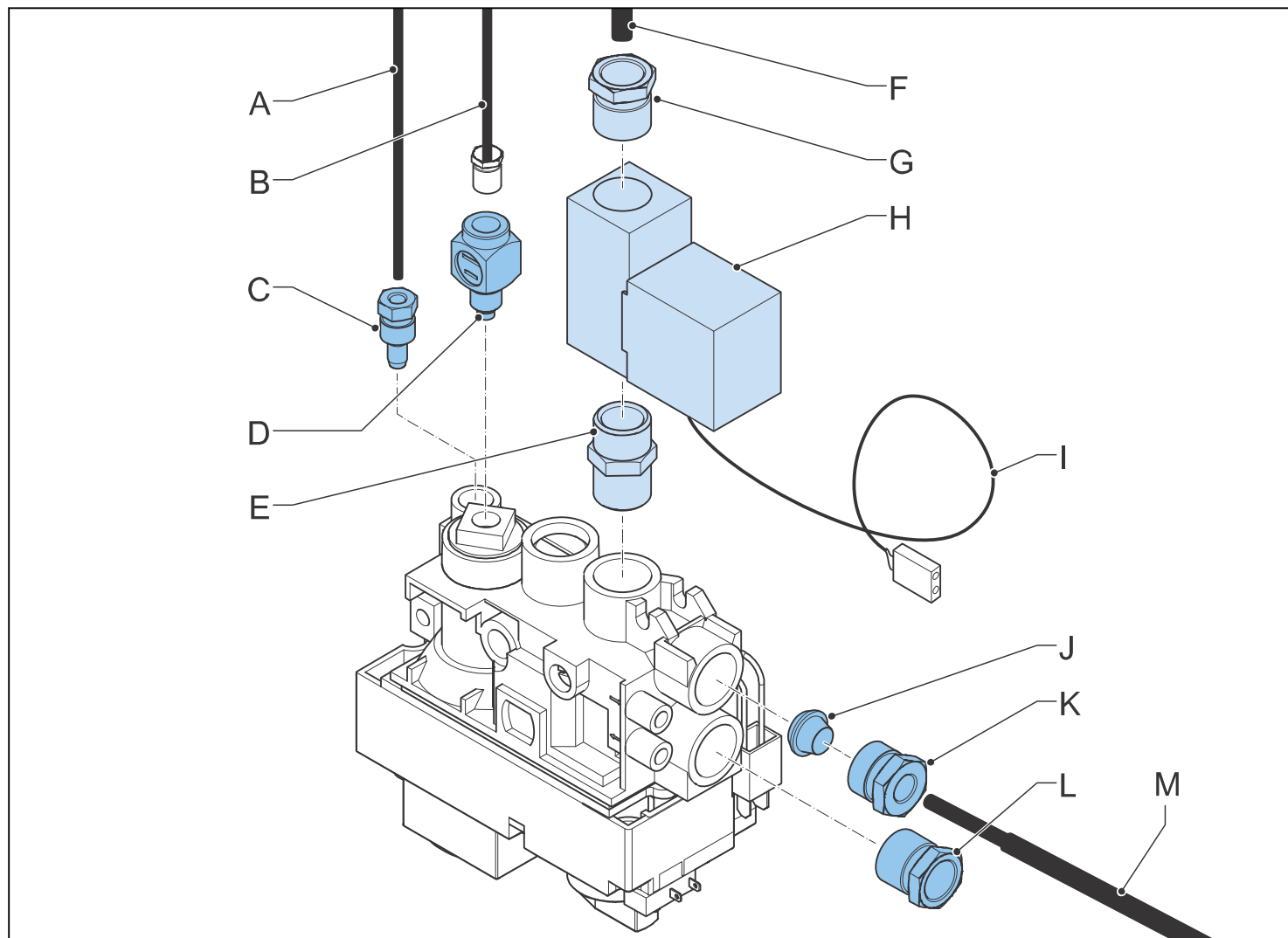
	Item	Description
A	Inlet pressure tap	Point to measure the gas supply pressure
B	Outlet pressure tap	Point to measure the front burner pressure
C	Gas supply connection	The connection for the gas supply pipe
D	Gas connection for the front burner	The connection for the front burner gas pipe
E	Adjustment screw for the minimum burner pressure	sets the minimum burner pressure. The adjustment screw is factory set and sealed.
F	Gas connection for the gas valve that is connected to the rear burner	The connection for the rear burner gas pipe
G	Thermocouple interrupter connection	The connection for the thermocouple interrupter
H	Pilot light connection	The connection to the pilot light gas pipe

2.7.2 Overview of the front of the gas regulator block



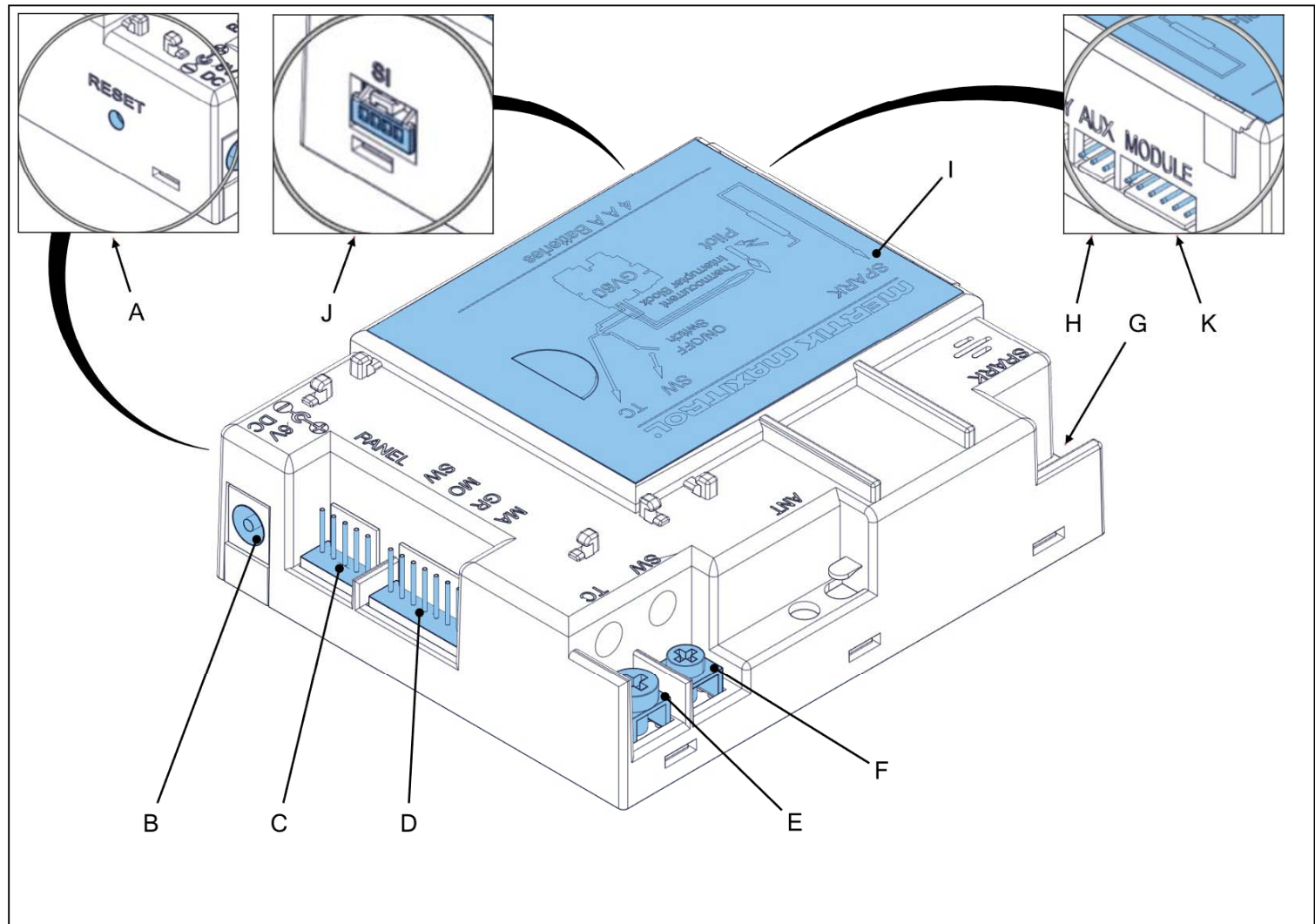
		Description
A	Pilot gas adjustment screw	Sets the pilot light gas pressure. The adjustment screw is factory set and sealed.
B	Adjustment screw maximum burner pressure	Sets the maximum gas pressure for the burner. The adjustment screw is factory set and sealed.
C	Motor-knob	Operates the internal main gas valve
D	Microswitch	Detects the end position of the motor-knob
E	8 wire cable connection	Connects the 8-wire cable from the receiver

2.7.3 Overview of the connections on the gas regulator block



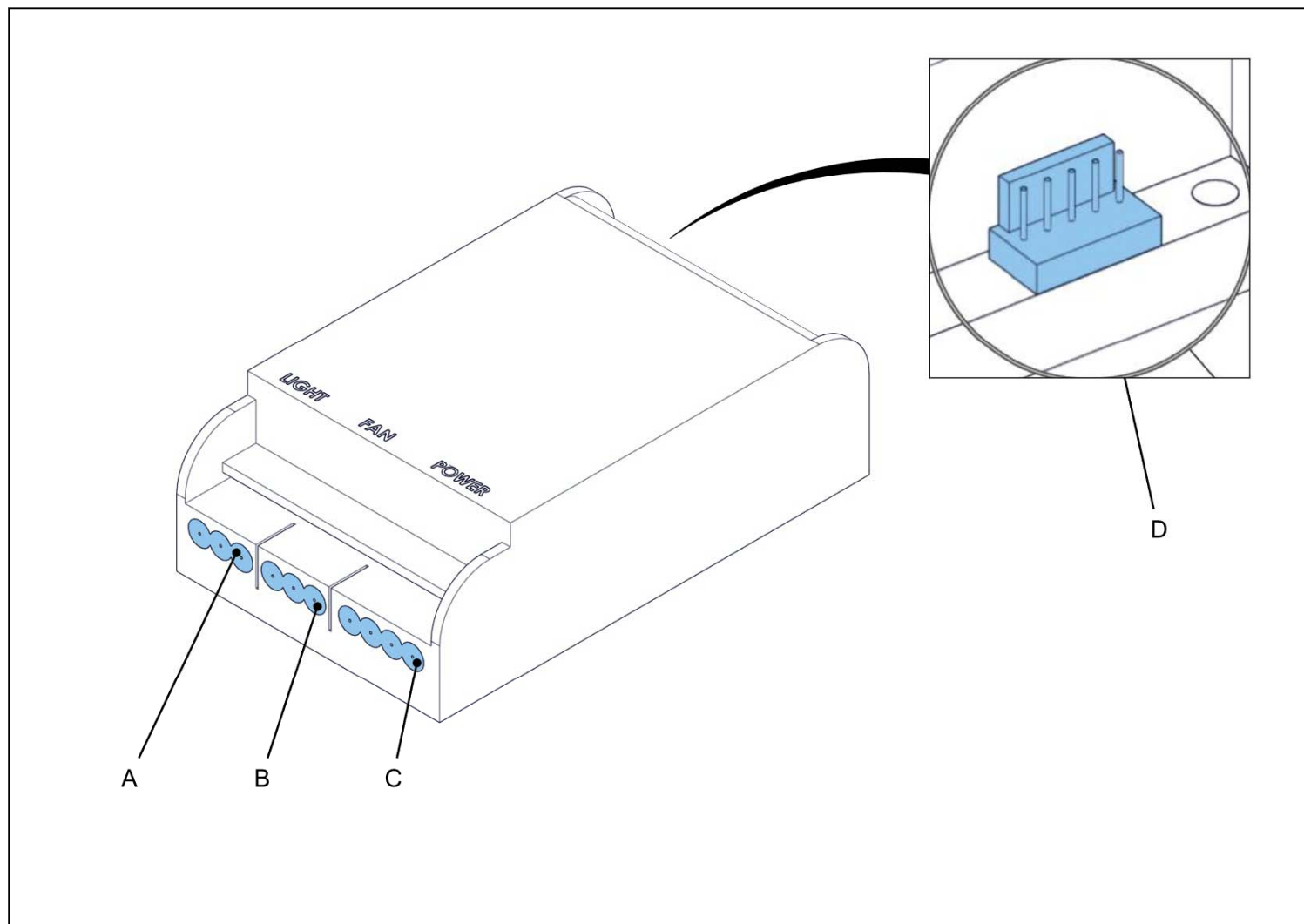
	Item	Description
A	Pilot light pipe	Supplies gas to the pilot light burner
B	Thermocouple	Detects if the pilot light is on
C	Connector (nut-olive) Ø 4mm	Connects the pilot light gas pipe to the gas regulator block
D	Thermocouple interrupter	Interrupts the signal of the thermocouple, and bypasses this signal through the receiver. When the thermocouple signal is cut off by the receiver (requested by the remote control) or when the thermocouple signal is weak or broken, the gas supply to the pilot light will stop.
E	Connector	Connects the gas valve of the rear burner
F	Gas pipe rear burner	Supplies gas to the rear of the main burner
G	Connector (nut-olive) Ø 8mm	Connects the rear burner gas line to the gas valve of the rear burner
H	Gas valve of the rear burner	Controls the flow of gas to the rear burner
I	Control cable of the gas valve of the rear burner	Connects the valve to the receiver
J	Olive Ø 8mm	For the gas pipe to the front burner
K	Nut Ø 8mm	For the gas pipe to the front burner
L	Gas supply connection	Inlet for the gas supply
M	Gas pipe front burner	Supplies gas to the front of the main burner

2.7.4 Overview of the receiver



	Item	Description
A	Reset button	Reset of the receiver
B	Connection for an adapter	Optionally, a 6 VDC adapter can supply the receiver and an optional wifi-box with power
C	connection for external operating	Optionally, a wall switch or domotica system can be connected
D	8 wire cable connection	Sends signals to the gas regulator block
E	Thermocouple voltage / current IN (red connection)	Connection to the thermoelectric pilot light shut-off wire IN
F	Thermocouple voltage / current OUT (yellow connection)	Connection to the thermoelectric pilot light shut-off wire OUT
G	Piezo cable connection	Connection for the piezo cable which is connected to the ignition electrode of the pilot light
H	Connection to the gas valve rear burner (AUX)	Sends a signal if the rear burner must burn
I	Battery compartment cover	Batteries are not applicable in the receiver for this appliance. (Power is supplied by the fan/light module.)
J	Connection for a wifi-box (SI)	Optionally, a wifi-box can be connected to the receiver to control the appliance with a smartphone or tablet with the Bellfires app.
K	Connection for the fan/light module (MODULE)	To control the light function and optionally to control the fan speed function

2.7.5 Overview of the fan/light module



	Item	Description
A	connection for the power supply	Connection for the 230 VAC power cable with an earthed plug. Connection is also used for earthing the appliance
B	Connection for a convection fan	Not applicable for this appliance
C	Connection for the ambient lights	Powers the ambient light bulbs
D	Connection for the receiver	To control the light function

3 Safety

3.1 Safety devices on the appliance

Name	Description
Thermo-electric pilot light shut off	Prevents unforeseen discharge of gas from the main burner.
Overpressure door	If an overpressure occurs in the appliance, the door opens for a short duration. When the door opens, a loud noise can occur. If an overpressure occurs, the installer must do a thorough check on the appliance.

3.2 Safety instructions for installation



Warning:

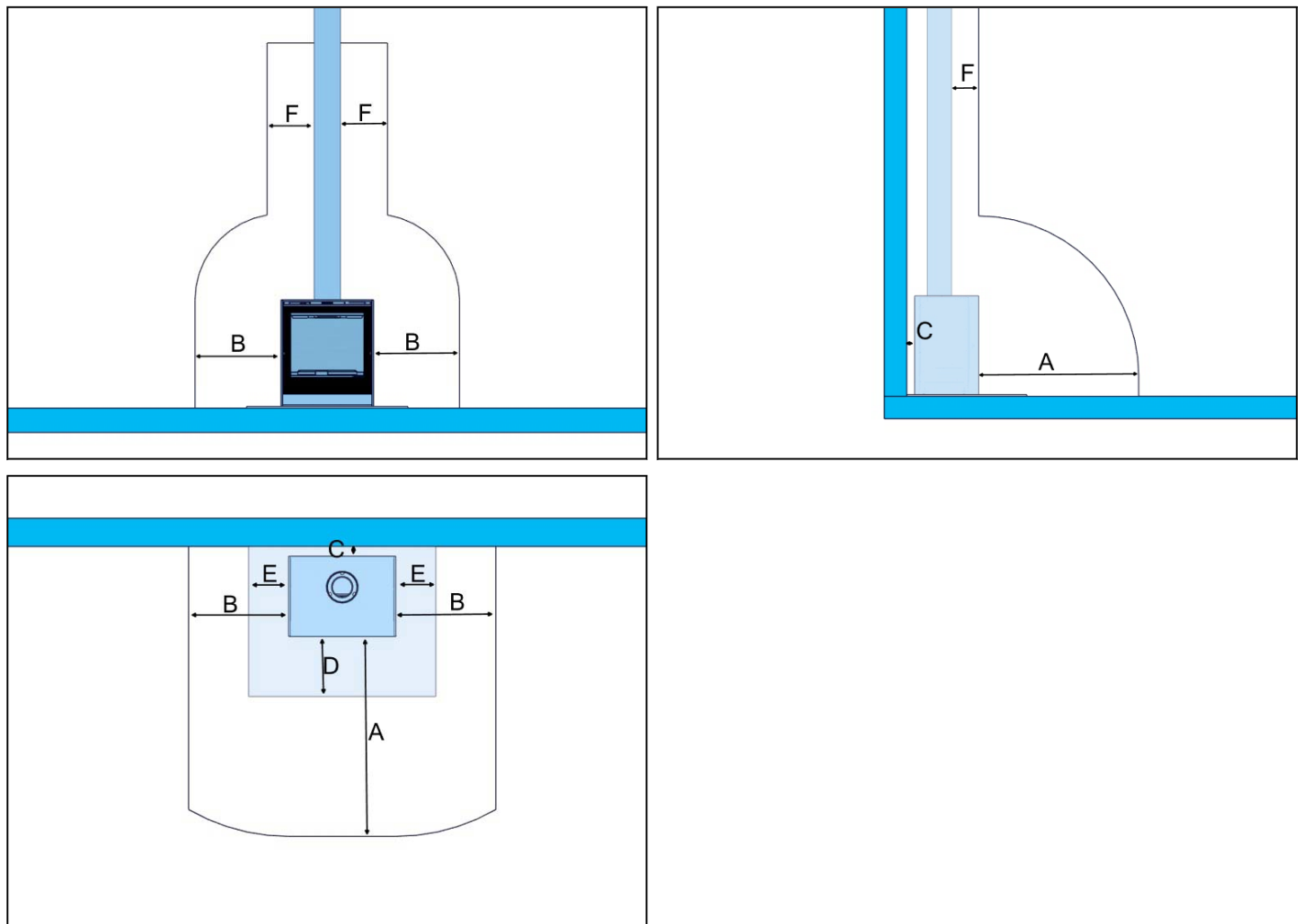
- The appliance must be positioned and connected as a 'room sealed system' appliance by a 'gas safe register' registered gas installation engineer
- Before beginning the installation, check that the details on the rating plate correspond to the gas type and supply pressure to which the appliance will be connected.
- Install the appliance in accordance with the following installation instructions, and the national and the local applicable regulations.
- Because of its weight, the appliance needs to be installed on a sufficiently strong and stable floor.
- Do not put flammable materials in the fireplace.
- Make sure that the area around the fireplace is free of flammable materials at all times. See [3.3](#) for the minimum safe distances.
- Make sure that the burner openings stay clean during installation. Blockage of the burner openings can lead to a dangerous situation.
- Make sure that the gas regulator block and the piping remain free of cement or other building material. Otherwise, the gas regulator block or the piping can start to leak.
- Do not twist the flexible pipes to the gas regulator block. Make sure that there is no stress on the flexible pipes and the gas regulator block.
- Make sure that you do not damage the pipes.
- Make sure that the compression fittings do not come loose.
- Do not install the appliance against a flammable rear wall.
- After installation, Make sure that the pipes and compression fittings are gas tight.



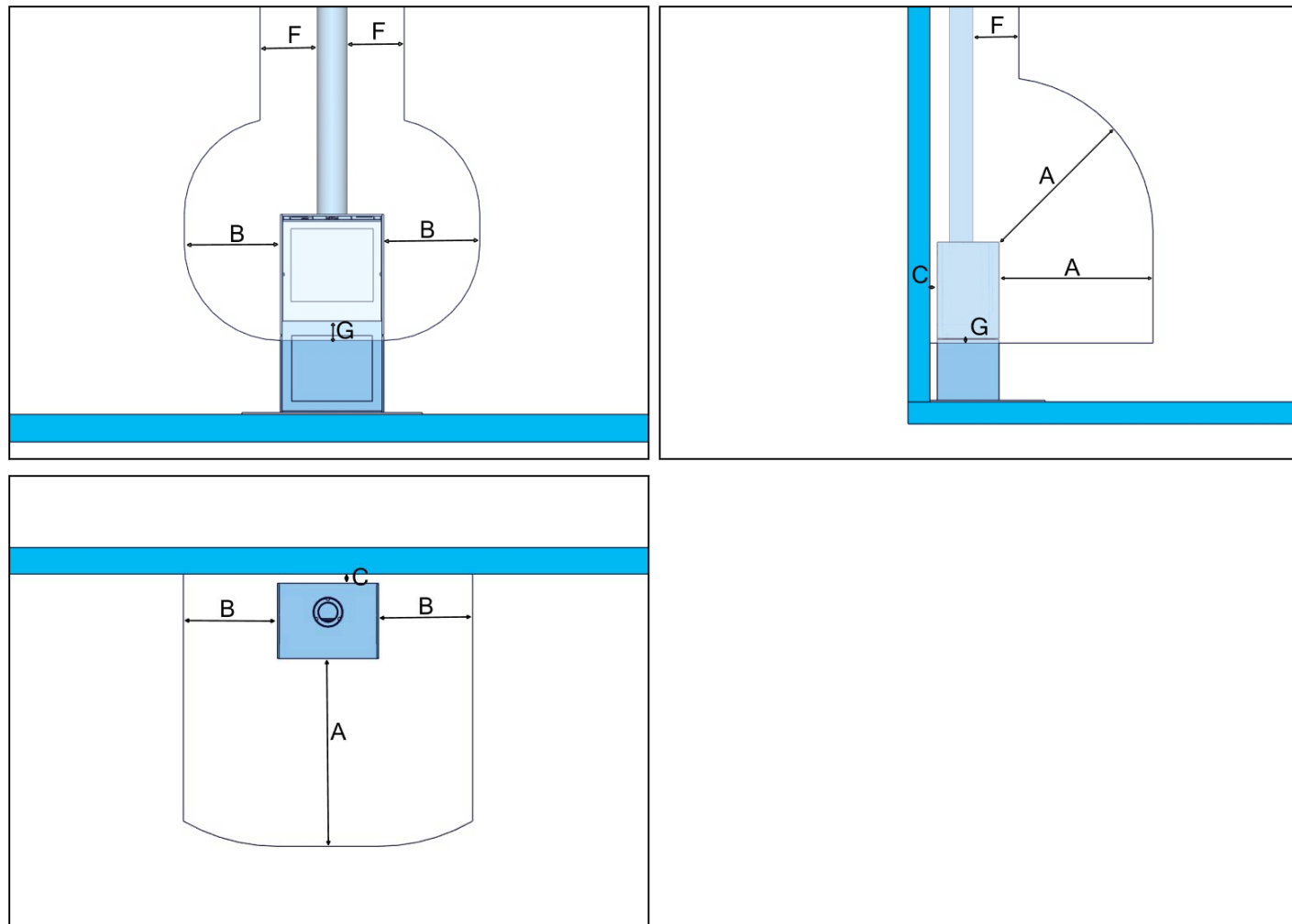
Caution:

- Only use the items that are supplied or described in the preparation manual and other related documentation.
- Do not use masking tape on the appliance. Masking tape can damage the finish of the appliance.

3.3 Safety distances to flammable and nonflammable materials



	BOX		BOX	
Label	Minimum distance to flammable materials in cm	Remark	Minimum distance to nonflammable materials in cm	Remark
A	100		80	
B	50		25	
C	30	Minimum distance to a flammable wall may be reduced till 5 cm when a non-flammable insulation plate (12 mm thick) is placed between the appliance and rear wall. The insulation plate is free standing, and has the same size as the full back of the appliance.	5	
D	30	Install a nonflammable hearth (floor stone) when the appliance is placed on a flammable floor. The height of the hearth must be minimal 20 mm.	0	
E	10		0	
F	30		5	



	BOX with Storage Module		BOX with Storage Module	
Label	Minimum distance to flammable materials in cm	Remark	Minimum distance to nonflammable materials in cm	Remark
A	100		80	
B	50		25	
C	30	Minimum distance to a flammable wall may be reduced till 5 cm when a non-flammable insulation plate (12 mm thick) is placed between the appliance and rear wall. The insulation plate is free standing, and has the same size as the full back of the appliance.	5	
D	Not applicable		Not applicable	
E	Not applicable		Not applicable	
F	30		5	
G	10		10	



Note:

Make sure that flammable materials near the appliance can never reach a temperature above 85 degrees centigrade.

3.4 Safety instructions with regard to the environment

- Dispose of the packing materials in an environmentally friendly way.
- Dispose of batteries as chemical waste.
- Dispose of ceramic heat-resistant glass as household waste. Do not dispose of ceramic heat-resistant glass in a glass recycling container.
- Dispose of an obsolete appliance according to instructions of the authorities or the fitter.
- Obey the local regulations.

4 Installation

4.1 Installation prerequisites

1. Make sure that the location agrees with the requirements. Refer to the preparation manual.
2. Make sure that the details of the rating plate of the appliance agree with the gas type and gas pressure of the gas supply.

4.2 Installation procedure

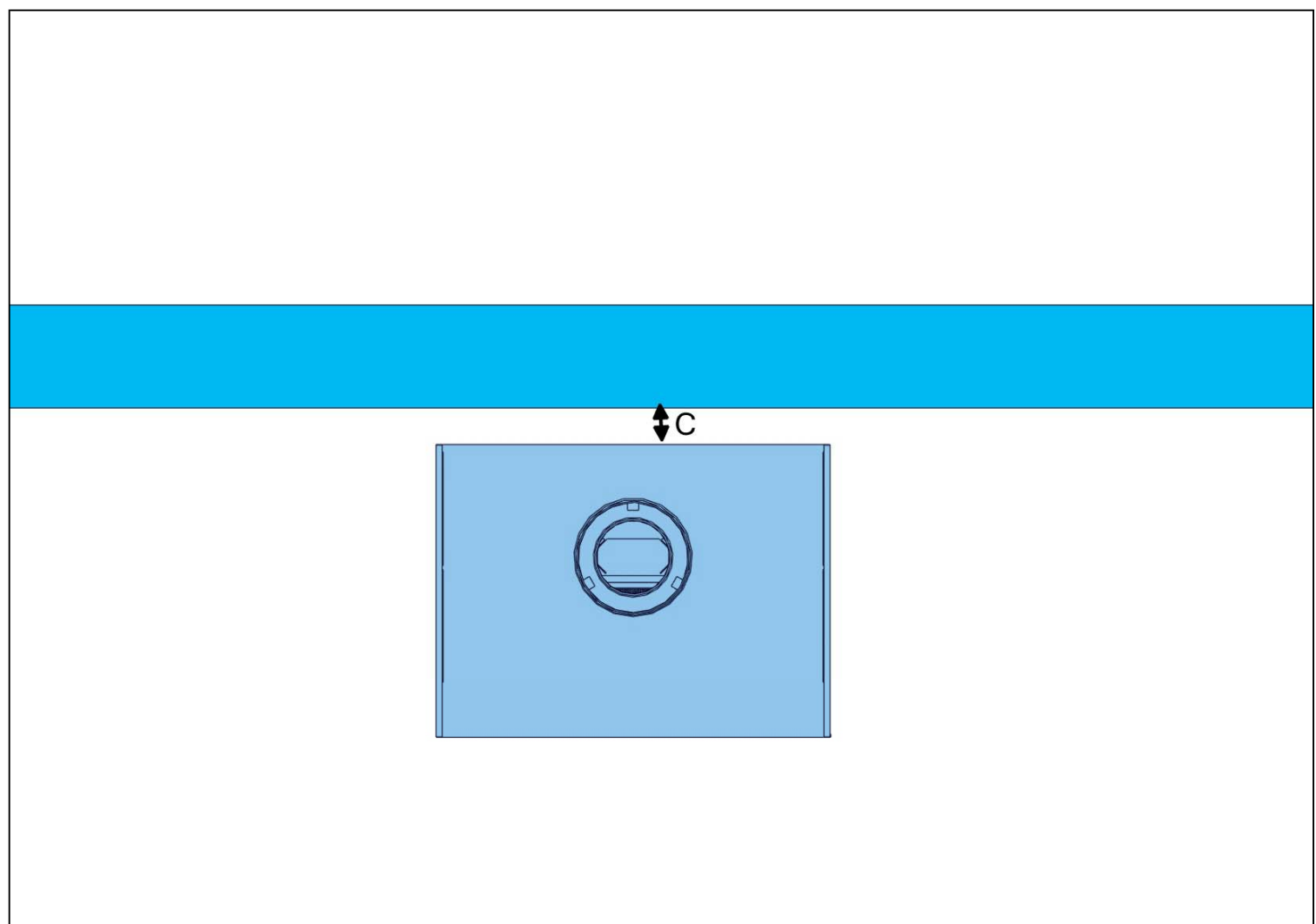


Note:

The appliance is factory set to the correct nominal heat input. The pilot light is set to the correct level of gas consumption.

- Do all the procedures in this section. Optional procedures are indicated with (optional).

4.2.1 Install the appliance



1. Install the appliance. Make sure that the distance C is alright. Refer to [3.3](#).
2. Place a nonflammable hearth (floor stone) under the appliance when necessary. Refer to [3.3](#).
3. Situate the appliance in such a way that the concentric flue outlet connection is precisely in line with the concentric flue pipe to the ceiling or wall.
4. Put a nonflammable insulation plate between the appliance and the rear wall when necessary. Refer to [3.3](#).

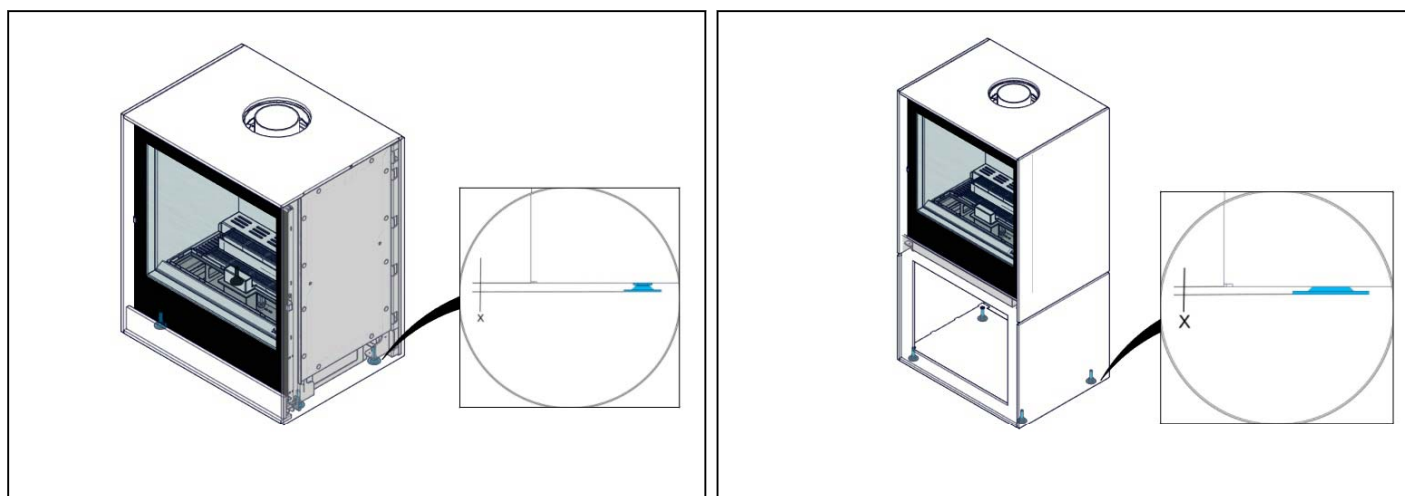
4.2.2 Natural stone platform



If the appliance is placed on a natural stone platform, do the items that follow:

- Place the appliance approximately 3 mm above the platform by means of the adjustable feet.
- The platform must have minimum thickness of 3 cm.
- The platform must support the weight of the appliance directly underneath it.
- Ask your natural stone dealer for additional advice regarding the specific type of stone in combination with the appliance.

4.2.3 Horizontally align the appliance



- Box: Adjust the adjustable feet (A). Use a fork spanner of size 13.
- Box with Storage module: Adjust the adjustable feet (B). Use a hexagonal key of size 4.
- a) Make sure that distance x is at least 3 mm.
- b) Make sure that the appliance is installed horizontally.

4.2.4 Make the gas connection

Caution:



- Do not twist the gas supply pipe to the gas regulator block. Make sure that there is no stress on the gas supply pipe and the gas regulator block.
- Make sure that you do not damage the gas supply pipe.

1. Connect the gas to the appliance. Use a compression fitting.
2. Make sure that the gas is correctly connected.

4.2.5 Do a check on the gas connections

- Make sure that the gas connections do not leak. Use soapy water or a leak tester.

4.2.6 Make the electrical connection



Caution:

- Use a wall socket with earth connection.
- The socket must be accessible at all times.

1. Connect the plug to the wall socket.
2. Make sure that the electrical cable does not touch the appliance, due to the high temperatures of the appliance.

4.2.7 Connect the concentric flue system

1. Connect the concentric flue system to the appliance. Use the materials that are specified in the preparation manual. Do not use any other materials.
2. Make sure that all mechanical connections of the concentric flue system are correctly connected.

4.2.8 Install the flue gas restriction plate

Safety conditions

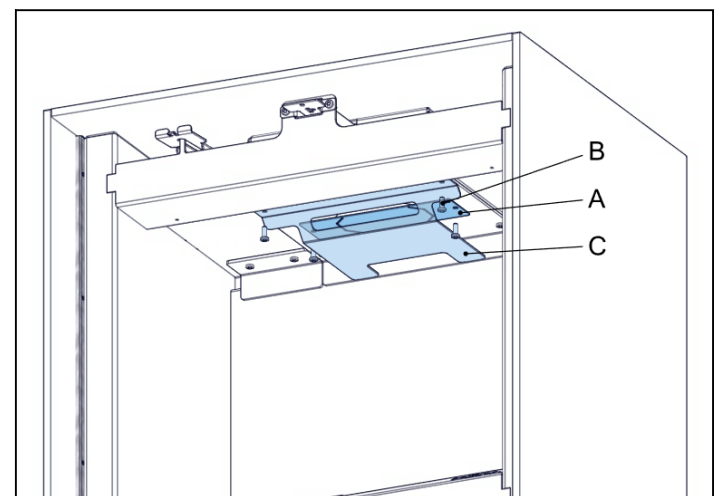


Caution:

Install the correct restriction plate. An incorrect restriction plate can cause damage to the appliance.

Procedure

1. Remove the door (including glass).
See [5.2.1](#).
2. Install the restriction plate (A) with the fasteners (B) in the appliance. Use the restriction plate specified in the preparation manual.



4.2.9 Remove the baffle plate

The appliance is factory supplied with a baffle plate. This baffle plate is located at the top of the combustion chamber, just before the connection with the concentric flue. The baffle plate only remains on location, if a restriction plate needs to be mounted. Refer [4.2.8](#).

Safety conditions



Warning:

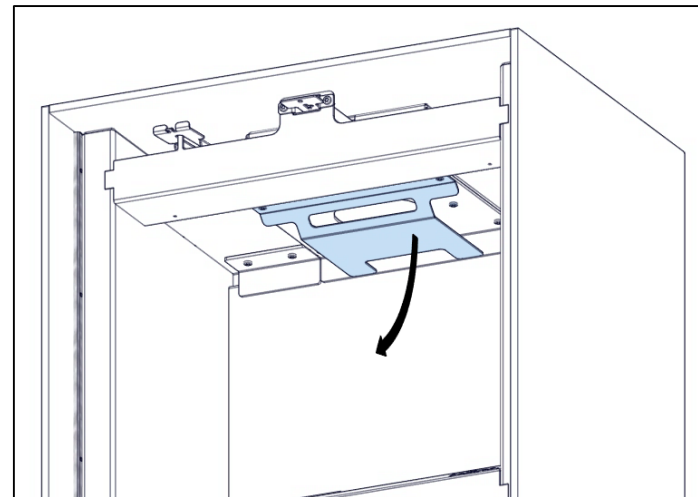
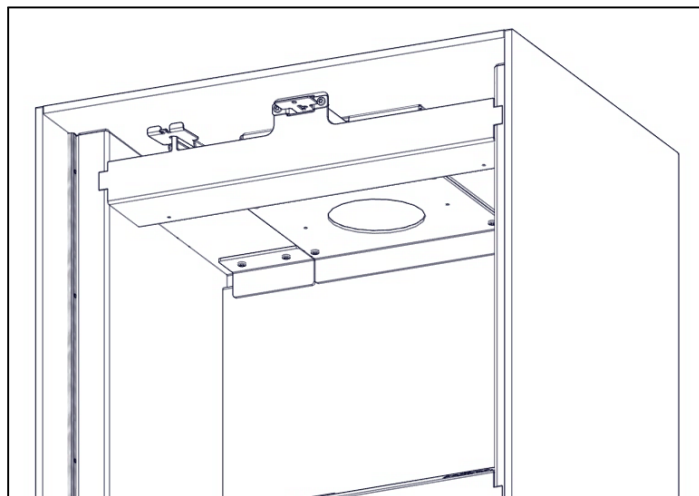
Always remove the baffle plate if there is no need to mount a restriction plate!!!

No restriction plate → No baffle plate !!!!!

Failure to remove the baffle plate, if there is no need to mount a restriction plate, can lead to dangerous situations!

Procedure

1. Remove the baffle plate, by unscrewing two bolts.
2. Screw the bolts back into the ceiling of the combustion chamber, after the baffle plate has been removed.



Baffle plate has been removed. (The use of a restriction plate, without a baffle plate, is not allowed.)

4.3 Prepare the appliance for use

- Do all the procedures in this section. Optional procedures are indicated with (optional).

4.3.1 Do a check on the operation of the lighting

- Make sure that the operation of the ambient lights function well. To operate the lights with the remote control, refer to the user manual

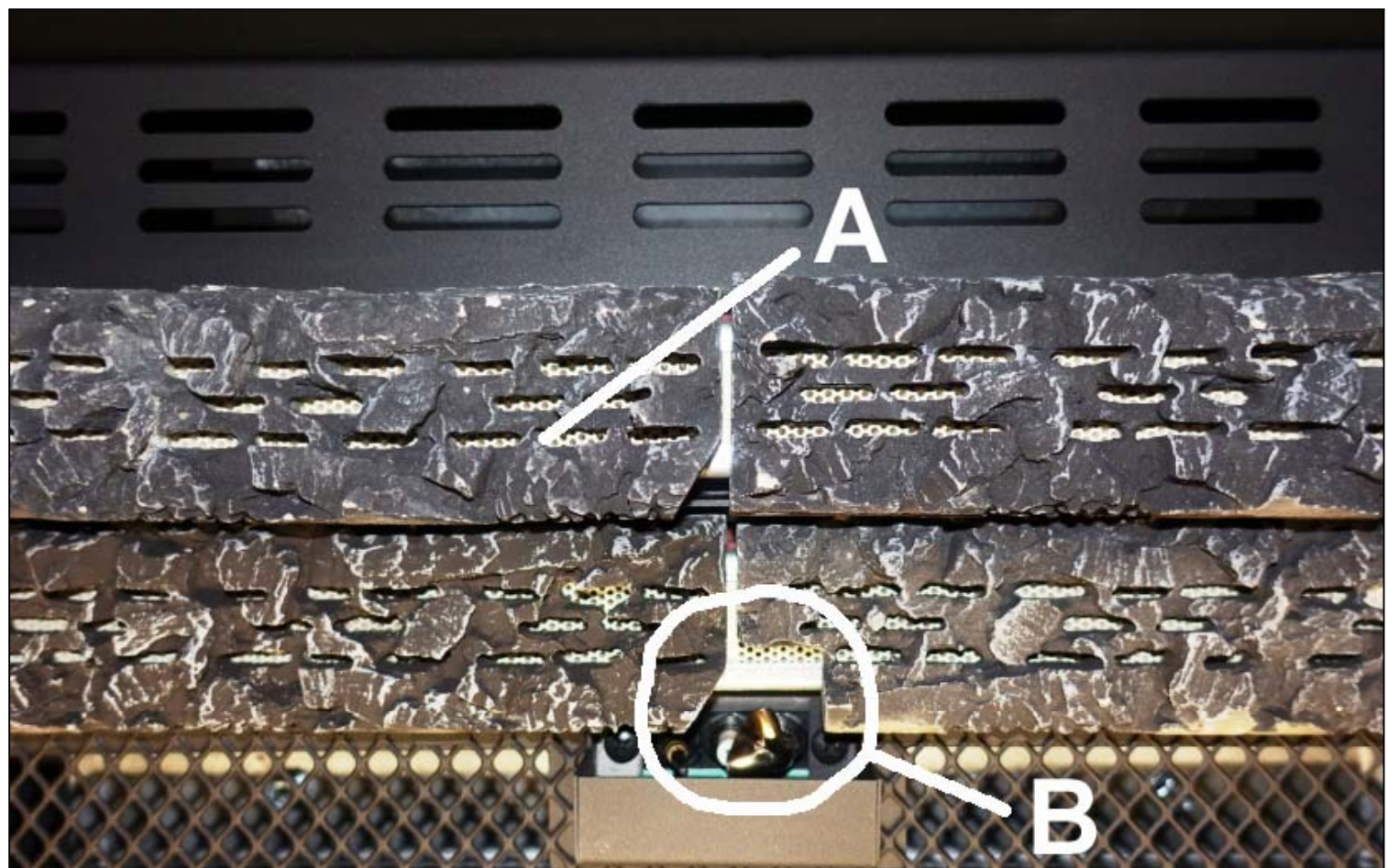
4.3.2 Put the ceramic log set on the burner bed

Safety conditions



Warning:

- Make sure that none of the openings of the ember grates (A) are blocked. Blockage of the openings of the ember grates can lead to a dangerous situation.
- Put the items of the log set in the correct configuration for the type of gas burner. If you put the items of the log set in another configuration, a dangerous situation can occur.
- Do not put anything against the pilot burner or in the protective pilot light cowl (B).
- Only use the items that are supplied.



Preparation



1. Make sure that all items of the log set are there. See [2.6](#).
2. Put the ceramic ember grates on the lower and upper main burner, as shown below. Refer to [2.6](#) for the numbers of the items.



3. Spread the fire glass evenly on the metal grate in front of the burner bed.



Note:

Set the light intensity of the ambient lighting to maximum on the remote control. Refer to the user manual. Make sure that the light intensity is the same everywhere. Adjust the distribution of the fire glass if necessary.



4. Spread the embers evenly behind and beside the burner bed.



Caution:

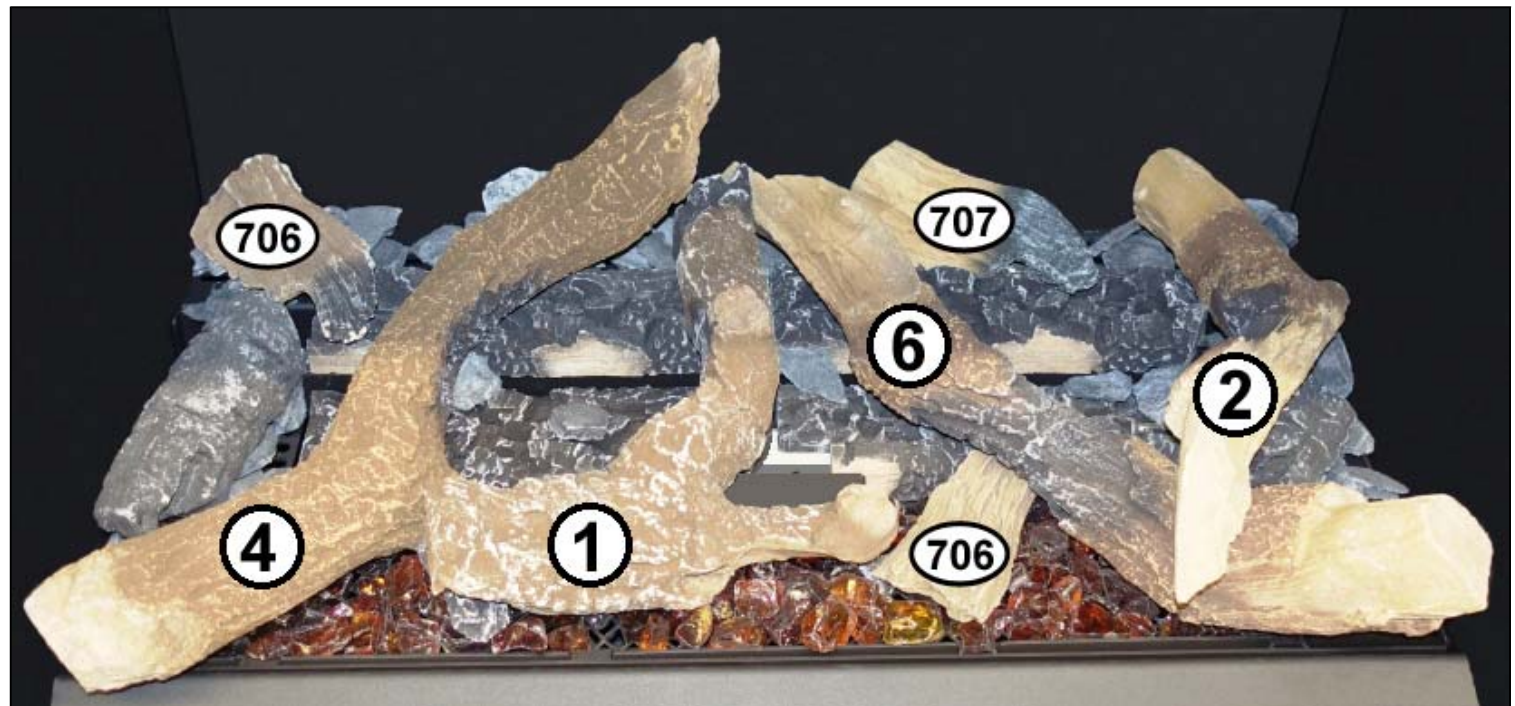
Do not apply embers on the openings of the ember grates. Embers in the openings of the ember grates can cause a blockage of the openings.



5. Put the charcoal pieces at the designated places around the burner bed. Refer to [2.6](#) for the numbers of the items.



6. Put the logs and chips of wood on the burner bed. Refer to [2.6](#) for the numbers of the items.



7. Install the door (including glass.) Refer to [5.2.2](#).

4.3.3

Do a final check on the appliance

Safety conditions



Caution:

A final check on the appliance can be done directly after the installation.

Procedure

1. Start the appliance and do a check on the ignition of the pilot light and main burner. The ignition must be quiet and must produce a calm flame. To start the appliance, refer to the user manual.
2. Do a check on the main burner. The flames increase in height and change from blue/yellow to yellow.
3. If all flames are yellow, the appliance is ready for use.

5 Maintenance

5.1 Annual maintenance

- Do all procedures in this section every year.



Caution:

- Use only original parts. Individual parts for replacement or accessories are available from your BELLFIRES-dealer.
- Introduced modifications to the appliance are not permitted.

5.1.1 Clean the appliance

Safety conditions

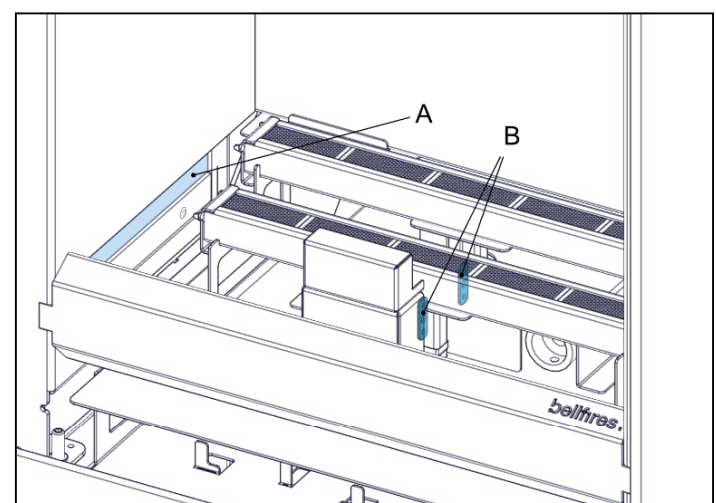


Caution:

- Turn off the gas supply to the appliance before cleaning.
- Turn off the power supply to the appliance before cleaning.

Procedure

1. Remove the glass. Refer to [5.2.1](#).
2. Remove the content from the burner bed.
3. Clean the removed content carefully with a soft brush.
4. Clean the inside of the appliance, including the main burner, the pilot light burner and the flue system.
5. Remove the grate.
6. Clean the combustion air intake
 - a) Clean the combustion air intake (A) at the bottom sides of the appliance.
 - b) Clean the primary combustion air inlet openings (B) of the main burner (front and rear).
7. Clean the ambient light bulbs. Refer to [5.2.4](#).
8. Clean the convection air route.
9. Do a check for damage on the inside of the appliance, including these parts:
 - a) Main burner.
 - b) Pilot burner.
 - c) Combustion air intake.
 - d) Flue system. Use a flashlight if necessary.
10. Clean the glass. Refer to [5.2.3](#).
11. If the black mirror rear wall is installed in the appliance, clean the black mirror. Use glass spray or ceramic hob cleaner.
12. Prepare the appliance for use. Refer to [4.3](#).



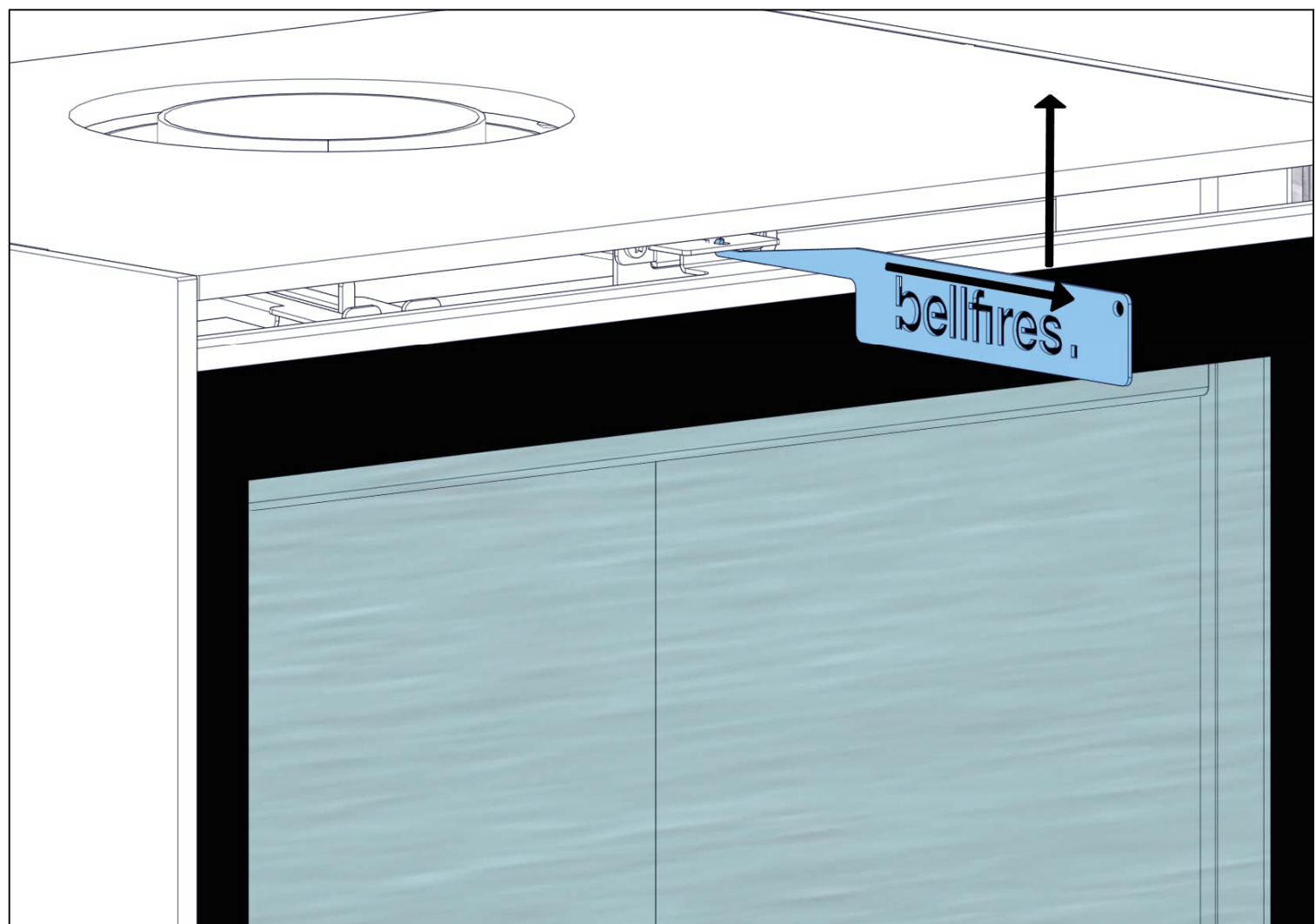
5.1.2 Do a check on the appliance

1. Do a check for leaks on the gas pipes and the gas pipe connections. Refer to [4.2.5](#).
2. Make sure that the pilot light operates correctly. The pilot light must not show any anomalies.
3. Make sure that the main burner operates correctly. The fire must not show any anomalies.
4. Do a check of the gas supply pressure and the burner pressure.
 - a) Use the inlet pressure tap and outlet pressure tap on the gas regulator block to measure the supply pressure and the burner pressure.
 - b) Measure the pressure when the appliance is off and when the appliance burns on maximum. Refer to [7](#) for the required supply pressure and burner pressure.
5. Make sure that the ambient lighting operates correctly. Refer to [4.3.1](#).
6. Do a check on the concentric flue system and the outlet construction. Make sure that all the connections of the concentric flue system are secure.

5.2 Maintenance procedures

5.2.1 Remove the door (including glass)

1. Turn off the gas supply to the appliance before removing the door.
2. With the hook, pull the thin, metal spring strip on the top middle from the stud on the door.

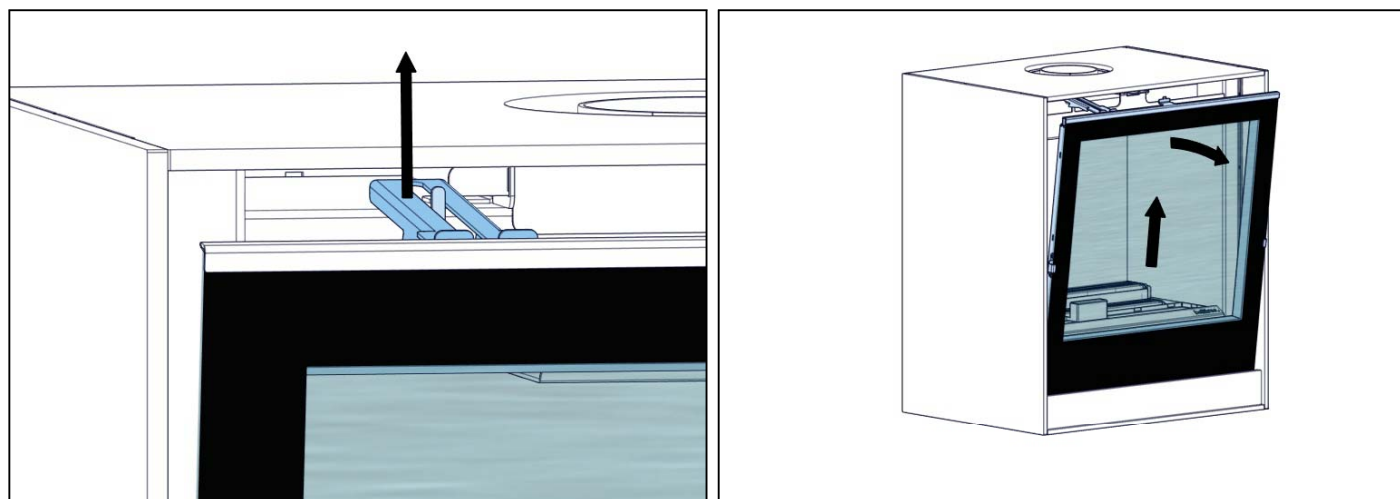


3. Dismantle the safety strip from the door.

Caution:



When loosening the door and after it has been loosened, support it with your hand to prevent it falling forward !



4. Carefully tilt the door and the glass forwards at the top. Prevent damage. Pull the door upwards and remove it from the appliance.

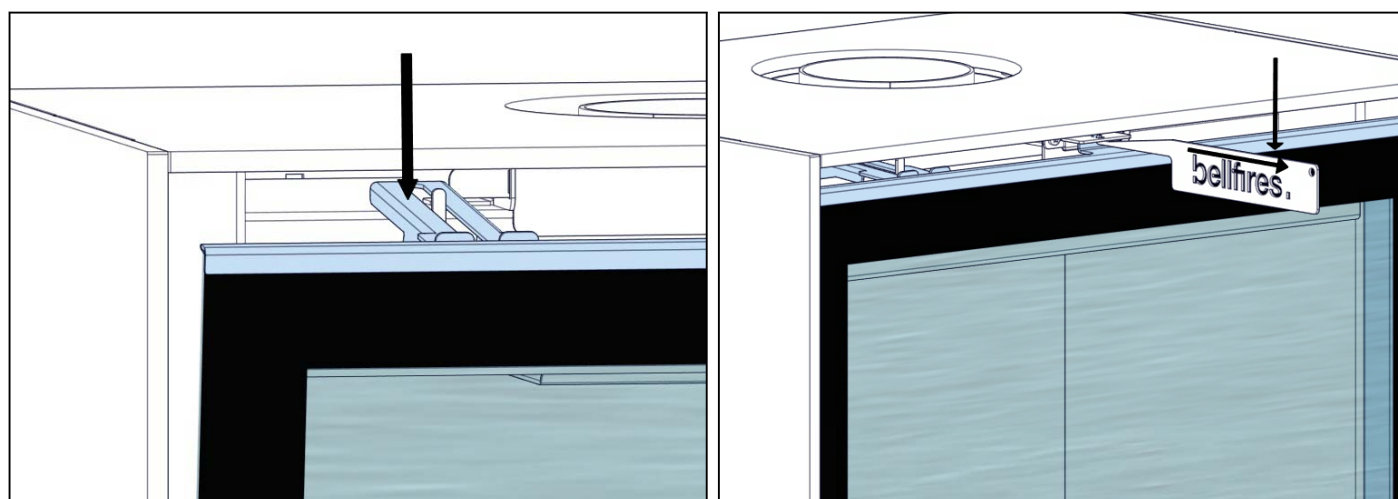
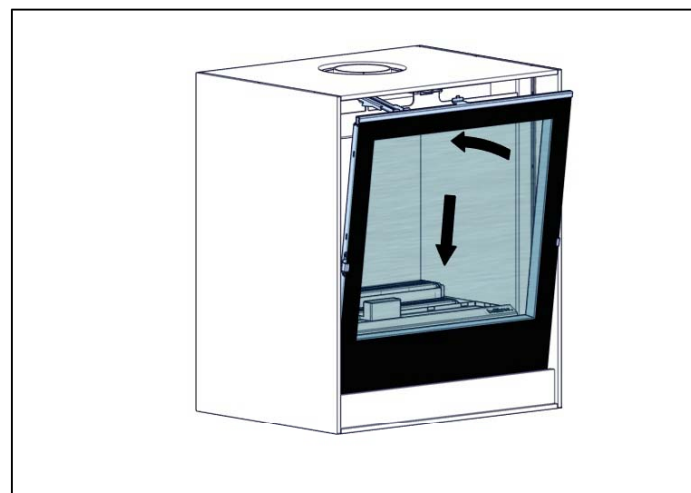
5.2.2 Install the door (including glass)



Caution:

Make sure that the door with the glass pane fits properly in the appliance and seals the inside of the appliance. If the door does not fit properly there is a risk of flue gas leakage.

1. Install the door (including glass) in the reverse order of the procedure 'Remove the door (including glass)'
2. Push the safety strip first fully back into the appliance, by lifting the strip a little.
3. Place the door and glass, and tilt it backwards.
4. Attach the safety strip on the door.



5. With the hook, pull the thin, metal spring strip on the top middle on the stud of the door.

**Caution:**

- Make sure whether the door is properly positioned underneath in the 2 holes of the front.
- Make sure whether the door is placed in the middle of the front.
- The door must fit tightly all round to the edge of the combustion chamber.
- Make sure that the spring strip, on the top, remains in its proper place.

5.2.3**Clean the glass**

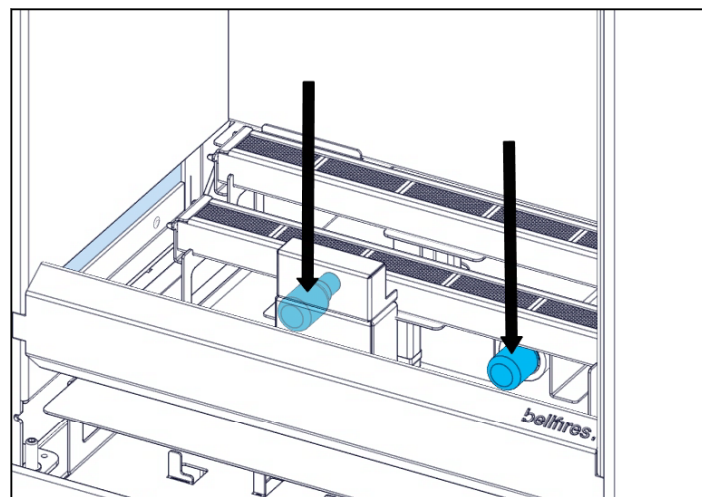
1. Clean the glass with a soft cloth, a sponge or paper. Use glass cleaner or ceramic hob cleaner.
2. Make sure that the glass is dry. Water droplets can leave a mark on the glass.

5.2.4**Replace the ambient light bulb when broken**

1. Turn off the power supply to the appliance.
2. Remove the content from the burner bed.
3. Remove the grate.
4. Carefully unscrew the broken light bulb from the ceramic fitting.
5. Carefully turn the new light bulb in the ceramic fittings.

Caution:

- Turn the ambient light bulbs completely into the ceramic fitting!
- Use only the Belfires ambient light bulb.



6. Prepare the appliance for use. Refer to [4.3](#).
7. Turn on the power supply to the appliance.
8. Make sure that the ambient lighting operates correctly. Refer to [4.3.1](#).

6 Troubleshooting

Problem	possible cause	solution
The main fire stops to burn	The concentric flue system is not installed according to the specified instructions.	Install the concentric flue system correctly. Refer to the preparation manual.
	An incorrect flue gas restriction plate is fitted.	Install the correct gas restriction plate. Refer to 4.2.8 .
	Insufficient pressure of the gas supply.	Contact your gas supplier company
	The concentric system has a leak. The leak is possibly on the inside of the concentric flue.	Check the concentric flue system. Refer to the preparation manual for correct installation.
	There is no power supply (230 VAC).	Repair the power supply.
The appliance does not react on the remote control	The batteries of the remote control are empty.	Replace the batteries. Refer to the user manual.
The pilot burner stops to burn	There is insufficient exhaust of the flue gases.	Check the concentric flue system. Refer to the preparation manual for correct installation.
	The pilot burner is dirty.	Clean the pilot burner
	The pilot burner is defective.	Replace the pilot burner
	The thermocouple is defective	Replace the thermocouple
The light does not operate	The light bulb is defective	Replace the light bulb
A loud noise occurs in the appliance	The overpressure door is activated.	Do a check on the appliance for problems.
The lacquer of the appliance is damaged		Use an aerosol can with heat resistant lacquer to repair any damage in the laquer.

7 Technical specification

7.1 Box Gas 65 MF (MagniFire) - GB, IE, ES, IT

	Natural gas	Butane/ Propane
Name	Belfires	Belfires
Model	Box Gas 65 MF	Box Gas 65 MF
Country	GB, IE, ES, IT	GB, IE, ES, IT
Product identification no	0063CM3684	0063CM3684
Indirect heating functionality	No	No
Type of appliance under CE-norm	C ₁₁ / C ₃₁ / C ₉₁	C ₁₁ / C ₃₁ / C ₉₁
Category of appliance	I _{2H} natural gas G20	I _{3B/P} butane/propane G30/G31
Energy efficiency class	B	B
Energy efficiency index (EEI)	82	82
Nominal heat input (Gross calorific value)	7.0 kW	Butane (G30) : 7.3 kW Propane (G31) : 6.0 kW
Nominal heat output	5.3 kW	Butane (G30) : 5.6 kW Propane (G31) : 4.6 kW
Minimum heat output (indicative)	2.6 kW	Butane (G30) : 2.6 kW Propane (G31) : 2.1 kW
Useful efficiency (Net Calorific Value (NCV)) at nominal heat output	84.3 %	85.5 %
Useful efficiency (Net Calorific Value (NCV)) at minimum heat output (indicative)	77.1 %	78.8 %
NO _x (max.) (Gross Calorific Value (GCV))	<130 mg/kWh _{input}	<130 mg/kWh _{input}
NO _x class	4	4
Gas rate (max.)	0.66 m ³ /hr.	Butane (G30) : 550 gr/hr. Propane (G31) : 440 gr/hr.
Supply pressure	20.0 mbar	Butane (G30) : 37.0 mbar Propane (G31) : 37.0 mbar
Burner pressure (max.) Hot	12.0 mbar (*)	29.0 mbar (*)
Burner pressure (max.) Cold	11.3 mbar (**)	29.0 mbar (**)
Burner pressure (min.)	4.0 mbar (***)	7.0 mbar (***)
Primary air inlet burner rear	1x Ø5.0 mm	1x Ø8x15 mm + 2x Ø3.5 mm
Primary air inlet burner front	1x Ø5.0 mm	1x Ø8x15 mm + 2x Ø3.5 mm
Gas regulator block (remote control)	Mertik GV 60	Mertik GV 60
Main burner	MagniFire 400x40 mm (2x)	MagniFire 400x40 mm (2x)
Main burner injector Rear	no 160 (= 1x Ø1.60 mm)	no 90 (= 1x Ø0.90 mm)
Main burner injector Front	no 160 (= 1x Ø1.60 mm)	no 100 (= 1x Ø1.00 mm)
Pilot light burner	SIT 0.145.019	SIT 0.145.019

	Natural gas	Butane/ Propane
Pilot light burner injector	no 36 (SIT 0.977.091)	no 23 (SIT 0.977.150)
Gas connection	3/8" G / Ø12 mm	3/8" G / Ø12 mm
Concentric flue system connection	Ø100 mm - Ø150 mm	Ø100 mm - Ø150 mm
Batteries remote control receiver	None	None
batteries remote control hand transmitter	2x 1.5V AAA	2x 1.5V AAA
Electrical connection	230 VAC / 50 Hz	230 VAC / 50 Hz
Auxiliary electricity consumption at nominal heat output	0.05 kW	0.05 kW
Auxiliary electricity consumption at minimum heat output	0 kW	0 kW
Auxiliary electricity consumption in standby mode	0 kW	0 kW
Weight:		
• Basic model	113 kg	113 kg
• Including Storage module	154 kg	154 kg
The specific precautions that shall be taken when the local space heater is assembled, installed or maintained, are listed in the attached documents:	<ul style="list-style-type: none"> • Preparation manual • Installation and maintenance manual • User manual 	<ul style="list-style-type: none"> • Preparation manual • Installation and maintenance manual • User manual

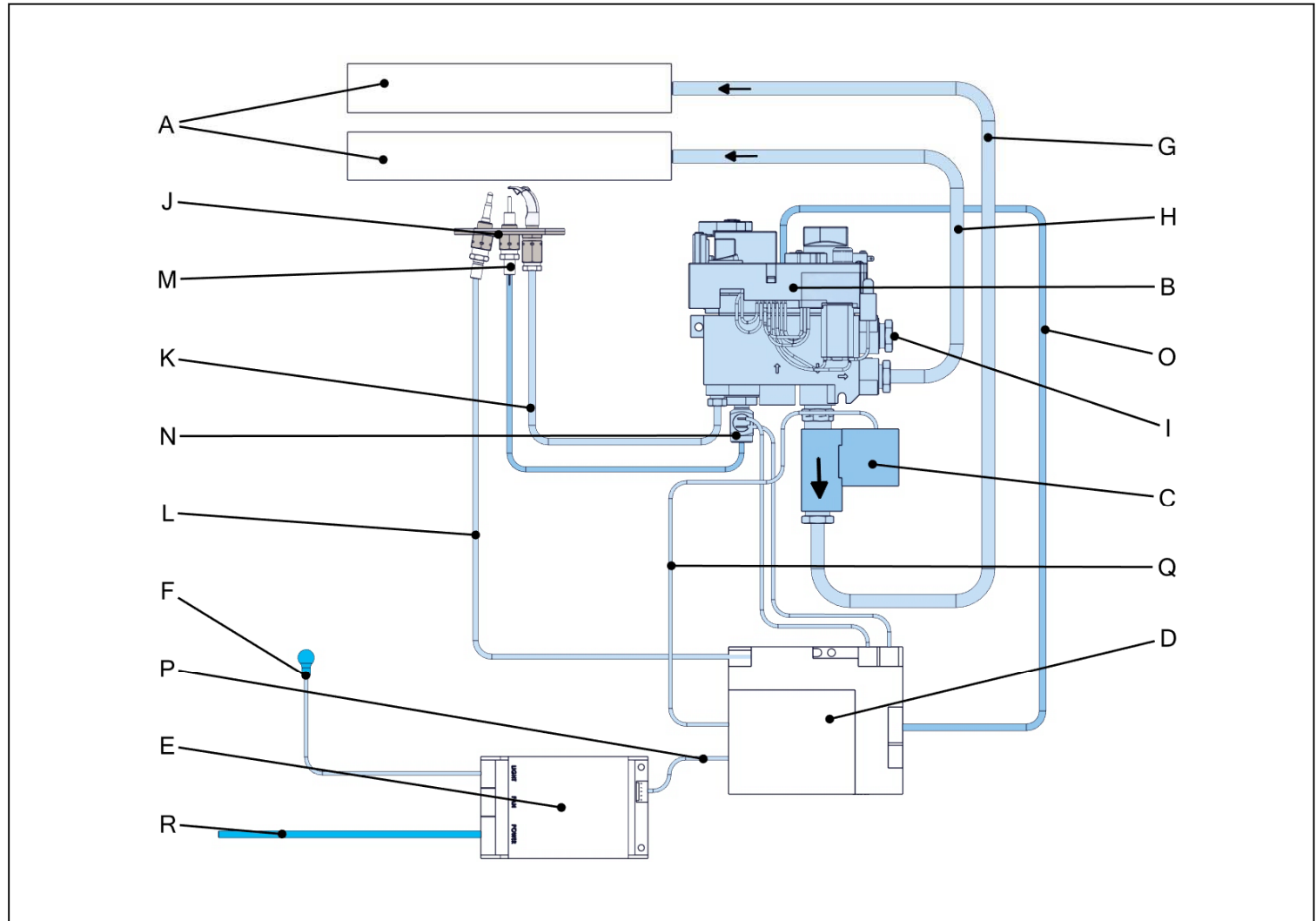
(*) Both burners at maximum. Appliance is on temperature.

(**) Both burners at maximum. Appliance is cold.

(***) Both burners at minimum.

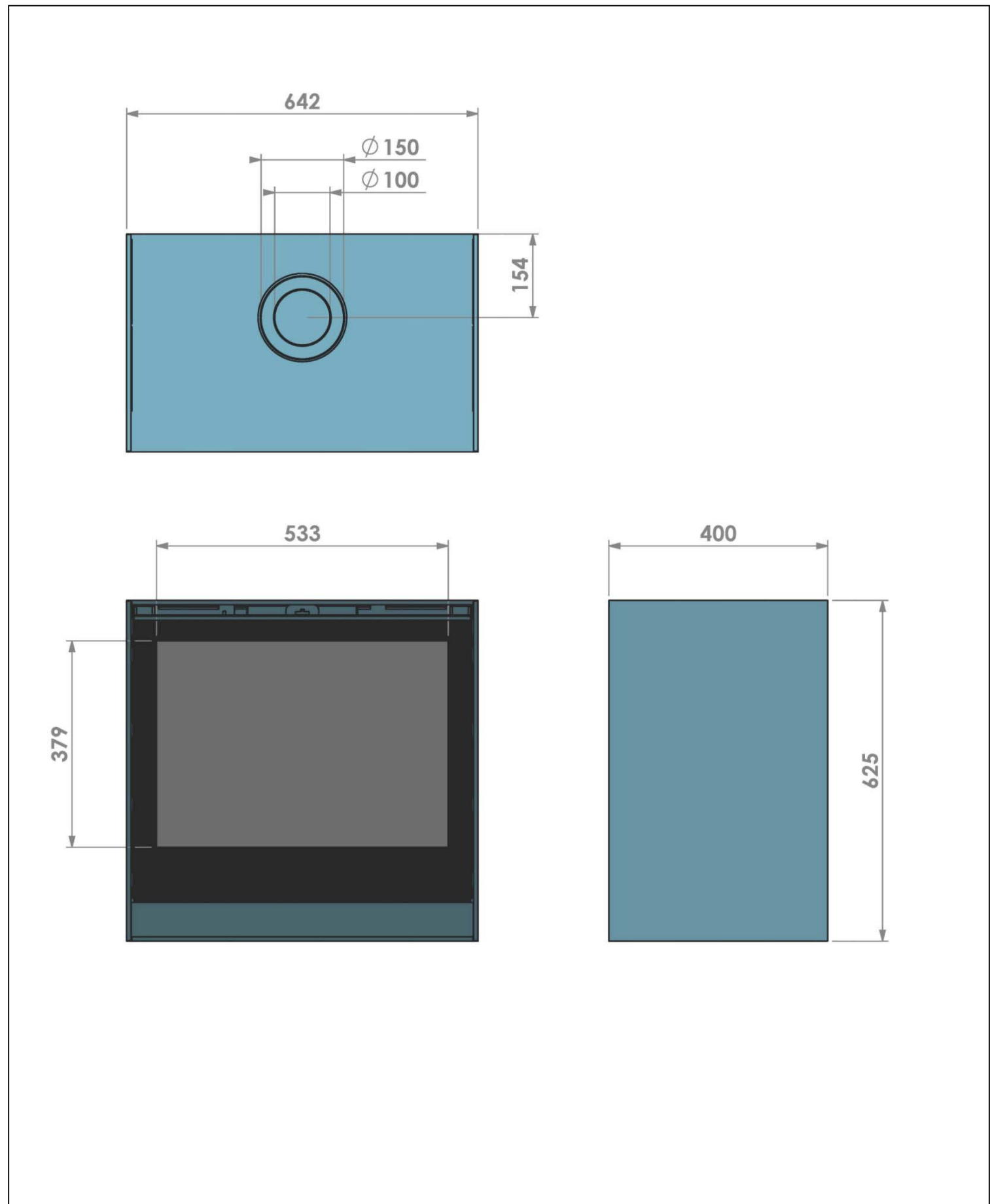
Heat changing surface: Entire appliance.

7.2 Diagram electricity and gas

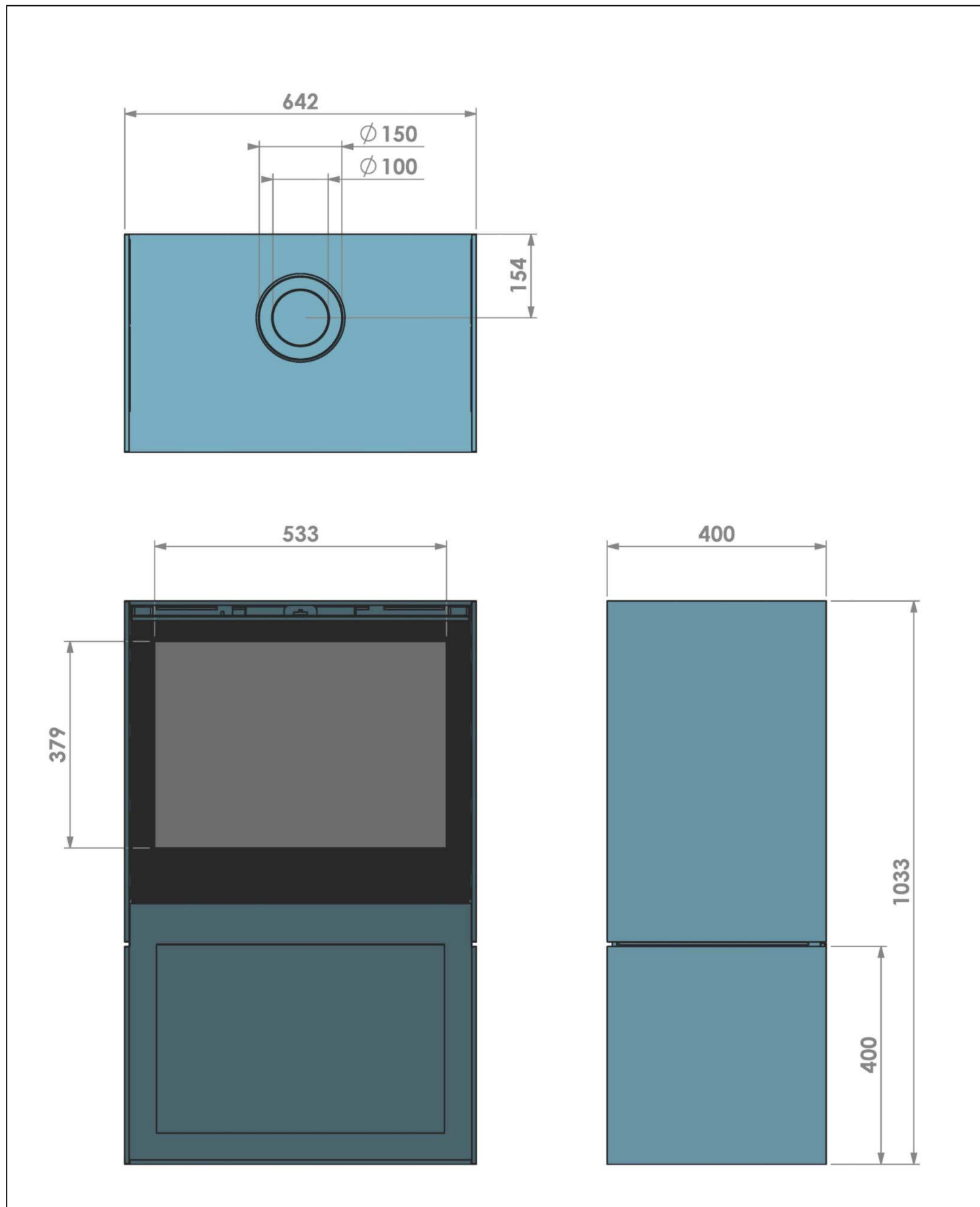


	Item
A	Main burners
B	Gas regulator block
C	Gas valve of the rear burner
D	Receiver
E	Fan/Light module
F	Ambient lighting
G	Gas pipe rear burner
H	Gas pipe front burner
I	Gas supply connection
J	Pilot light burner
K	Pilot light pipe
L	Piezo cable
M	Thermocouple
N	Thermocouple interrupter
O	8 wire cable
P	5 wire cable
Q	2 wire cable
R	Connecting cable 230VAC with earthed plug

7.3 Dimensions Box Gas 65



7.4 Dimensions Box Gas 65 with Storage module



7.5 Dimensions of the restriction plate

Width of the delivered flue restriction plates in mm	
Concentric flue connection Ø100 - Ø150	
Roof-mounted outlet	
	30
	40
	50
	65

8 Warranty Terms

Barbas Bellfires Warranty Terms

Barbas Bellfires B.V. guarantees the quality of the supplied Bellfires appliance and the quality of the materials used. All Bellfires appliances are developed and manufactured according to the highest possible quality standards. If, despite all this, something should prove amiss with the Bellfires appliance you have purchased, Barbas Bellfires B.V. offers the following manufacturer's warranty.

Article 1: Warranty

1. If Barbas Bellfires B.V. determines that the Bellfires appliance you have purchased is defective as a result of a flaw in the construction or material, Barbas Bellfires B.V. guarantees to repair or replace the appliance free of charge, without charging any costs for labour or spare parts.
2. Repair or replacement of the Bellfires appliance will be undertaken by Barbas Bellfires B.V. or by a Bellfires dealer as designated by Barbas Bellfires B.V.
3. This warranty is supplementary to the existing legal national warranty of Bellfires dealers and Barbas Bellfires B.V. in the country of purchase and is not intended to restrict your rights and claims based on the applicable legal provisions.

Article 2: Warranty conditions

1. Should you wish to claim under the warranty, please contact your Bellfires dealer.
2. Complaints should be reported as quickly as possible after they have manifested themselves.
3. Complaints will only be accepted if they are reported to the Bellfires dealer, together with the serial number of the Bellfires appliance which is stated on the front of the user manual.
4. In addition, the original receipt (invoice, receipt, cash receipt) showing the date of purchase must also be submitted.
5. Repairs and replacements during the warranty period do not give any entitlement to an extension of the warranty period. After a repair or replacement of warranty parts, the warranty period shall be deemed to have started on the date of purchasing the Bellfires appliance.
6. If a certain part is eligible for the warranty and the original part is no longer available, Barbas Bellfires B.V. shall ensure that an alternative part of at least the same quality shall be provided.

Article 3: Warranty exclusions

1. The warranty on the Bellfires appliance ceases to be in effect if:
 - a. it is not installed according to the supplied installation instructions, and to national and/or local regulations;
 - b. it has been installed, connected or repaired by a non-Bellfires dealer;
 - c. it has not be used or maintained according to the instructions for use;
 - d. it has been changed, neglected or roughly treated;
 - e. it has been damaged as a result of external causes (outside the hearth itself), for example, lightning strike, water damage or fire;
2. In addition, the warranty lapses if the original purchase receipt shows any change, deletion, removal or if it is illegible.

Article 4: Warranty area

1. The warranty is only valid in those countries where Bellfires appliances are sold through an official dealer network.

Article 5: Warranty period

1. This warranty will only be granted during the warranty period.
2. The body of the Bellfires appliance is guaranteed for a period of 10 years against construction and/or material faults, starting from the moment of purchase.
3. For other parts of the Bellfires appliance, a similar warranty applies from the moment of purchase for a period of one year.
4. For user parts such as glass, glass (cord), thermocouple and the interior of the combustion chamber, a similar guarantee is given until after the first burning.


Article 6: Liability


1. A claim granted by Barbas Bellfires B.V. under this warranty does not automatically imply that Barbas Bellfires B.V. also accepts liability for any possible damage. The liability of Barbas Bellfires B.V. never extends further than that stated in these warranty conditions. Any liability of Barbas Bellfires B.V. for consequential damage is expressly excluded.
2. That stated in this provision is not valid if and to the extent that it derives from a mandatory provision.
3. All agreements entered into by Barbas Bellfires B.V. are, unless specifically stated otherwise in writing and to the extent that they are permitted based on applicable law, subject to the FME-CWM general sales and delivery conditions for the technology industry.

Barbas Bellfires B.V.
Hallenstraat 17 5531 AB Bladel
The Netherlands
Tel: +31-497339200
Email: info@Bellfires.com

Carefully retain the user manual; it shows the serial number of the appliance. You will need this if you wish to claim under the warranty.

9 EU-Declaration of Conformity





EU-Declaration of Conformity

We

Manufacturer Barbas Bellfires
Adress Hallenstraat 17
 5531 AB Bladel; The Netherlands
Phone + 31 497 339 200
email info@barbasbellfires.com

declare that this declaration of conformity is issued under our sole responsibility and belongs to the product below:

Product: Independent gas-fired convection heater
Type: C₁₁/C₃₁/C₉₁
Product name: Bellfires

Description of the product:

Horizon Bell XXL 3 CF/LF	Corner Bell Derby 3 L/R CF/LF/PF	Classic Bell Small
Horizon Bell XL 3 CF/LF	Corner Bell Topsham 3 L/R CF/LF/PF	Classic Bell Medium
Horizon Bell Large 3 CF/LF	Corner Bell York 3 L/R CF/LF/PF	Smart Bell 80/80 PF
Horizon Bell Medium 3 CF/LF	Corner Bell XXL 3 L/R CF/LF	Smart Bell 90/80 PF
Horizon Bell Small 3 CF/LF	Corner Bell XL 3 L/R CF/LF	Smart Bell 75/80 PF
Horizon Bell XS 3 CF/LF	Corner Bell Large 3 L/R CF/LF	Smart Bell 80/70 PF
Horizon Bell Large Tunnel 3 CF/LF	Corner Bell Medium 3 L/R CF/LF	Smart Bell 90/70 PF
Horizon Bell Small Tunnel 3 CF/LF	Corner Bell Small 3 L/R CF/LF	Smart Bell 75/70 PF
Vertical Bell Medium 3 CF/LF	View Bell Derby 3 CF/LF/PF	Smart Bell 80/60 MF
Vertical Bell Small 3 CF/LF	View Bell Topsham 3 CF/LF/PF	Smart Bell 75/55 MF
Vertical Bell Medium Tunnel 3 CF/LF	View Bell York 3 CF/LF/PF	Smart Bell 65/60 MF
Vertical Bell Small Tunnel 3 CF/LF	View Bell XXL 3 CF/LF	Smart Bell 55-60 MF
Derby Large 3 CF/LF/PF	View Bell XL 3 CF/LF	Smart Bell 45/60 MF
Derby Small 3 CF/LF/PF	View Bell Large 3 CF/LF	Box Gas 80 MF
Topsham Large 3 CF/LF/PF	View Bell Medium 3 CF/LF	Box Gas 75 MF
Topsham Small 3 CF/LF	View Bell Small 3 CF/LF	Box Gas 65 MF
York Large 3 CF/LF/PF	View Bell Vertical 3 CF/LF	Box Gas 55 MF
York Small 3 CF/LF/PF	Room Divider Large 3 L/R CF/LF	Box Gas 45 MF
Derby Large Tunnel 3 CF/LF	Room Divider Medium 3 L/R CF/LF	

The object of this declaration is in conformity with the relevant Union harmonisation legislation:

Directive 2009/142/EC (until April 20, 2018)
 Regulation (EU) 2016/426 (from April 21, 2018)

Used relevant harmonised standards or other technical specifications in relation to which conformity is declared:


EN 613:2000

The notified body:
 Kiwa Nederland BV
 P.O. Box 137
 NL-7300 AC Apeldoorn

performed a product verification and issued on January 2, 2018 certificate no: 90975/06

Signed for and on behalf of:
 Danny Baijens, managing director
 (name and function)

Bladel; Januari 9, 2018
 (place and date of issue)


 (signature)

Barbas Bellfires B.V.
 Hallenstraat 17
 5531 AB Bladel
 The Netherlands

T +31 (0)497 339 200
 www.barbasbellfires.com

bellfires.

Your Bellfires dealer